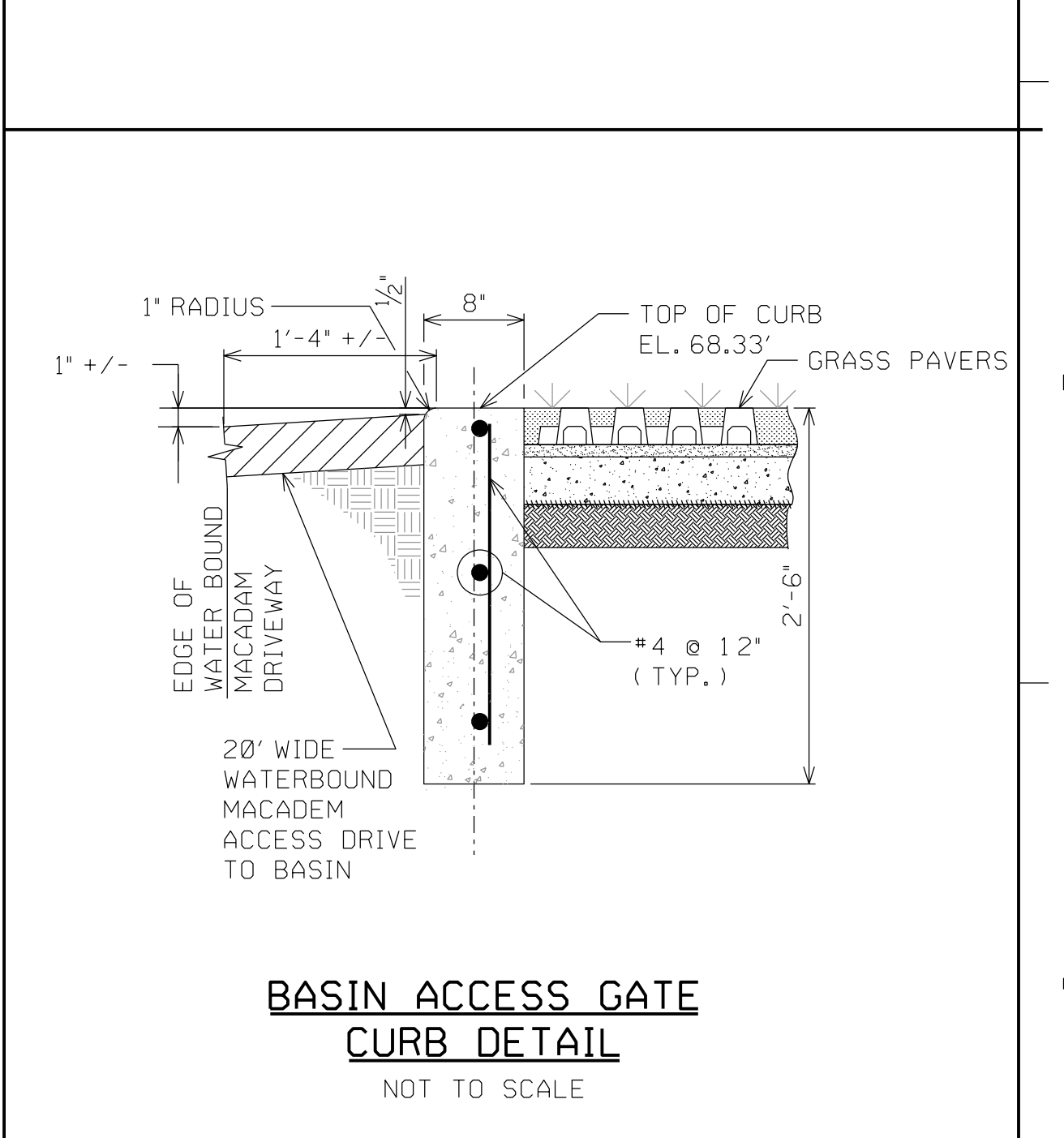
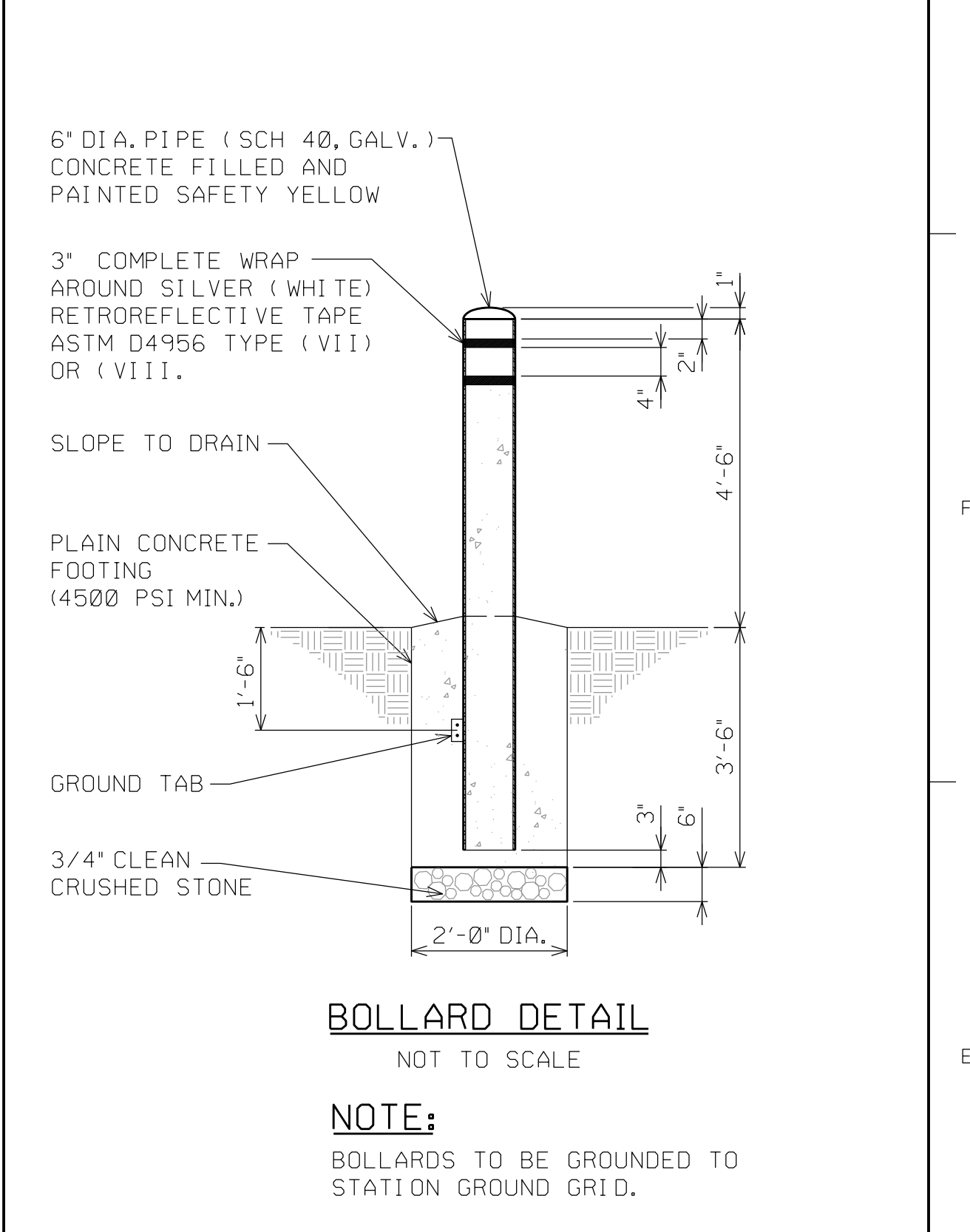
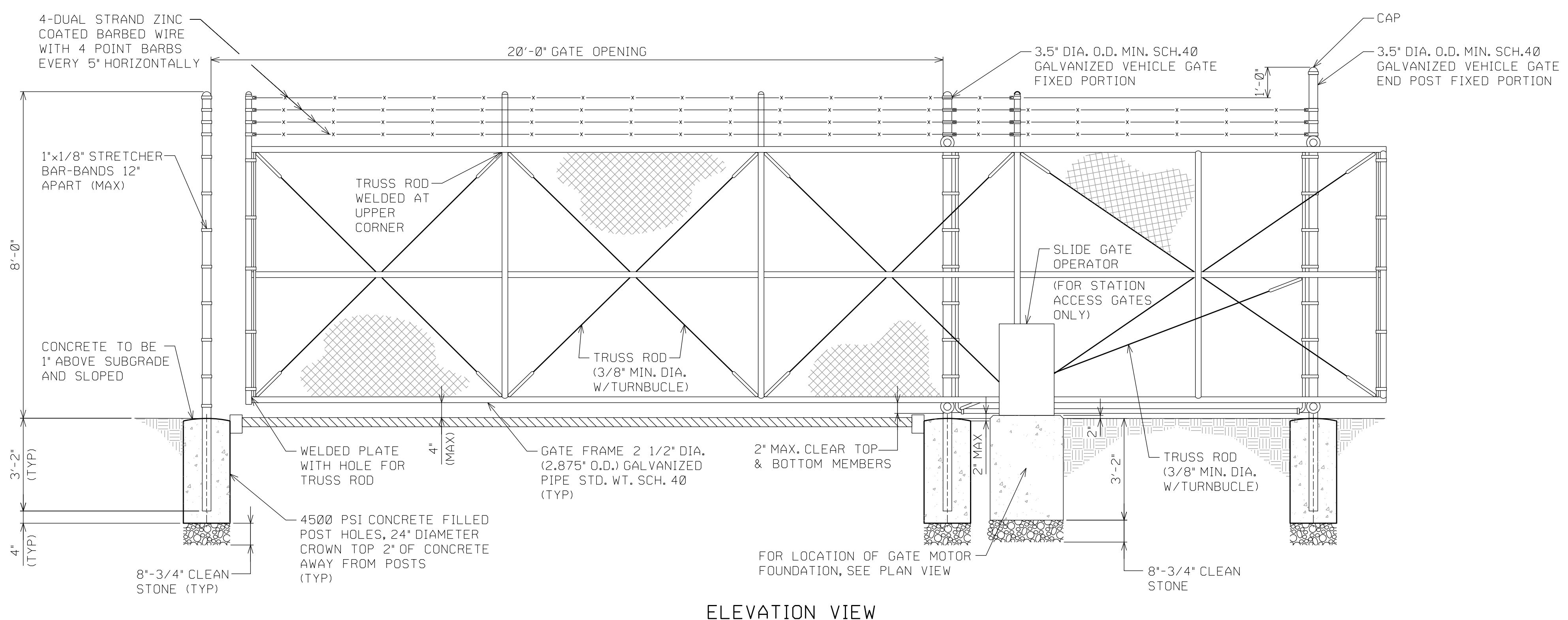
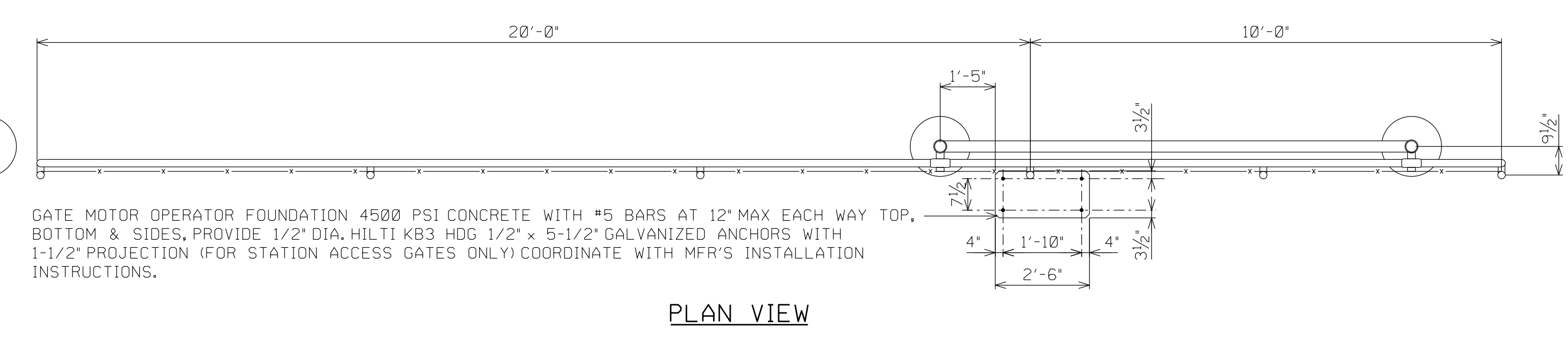


SCHEDULE

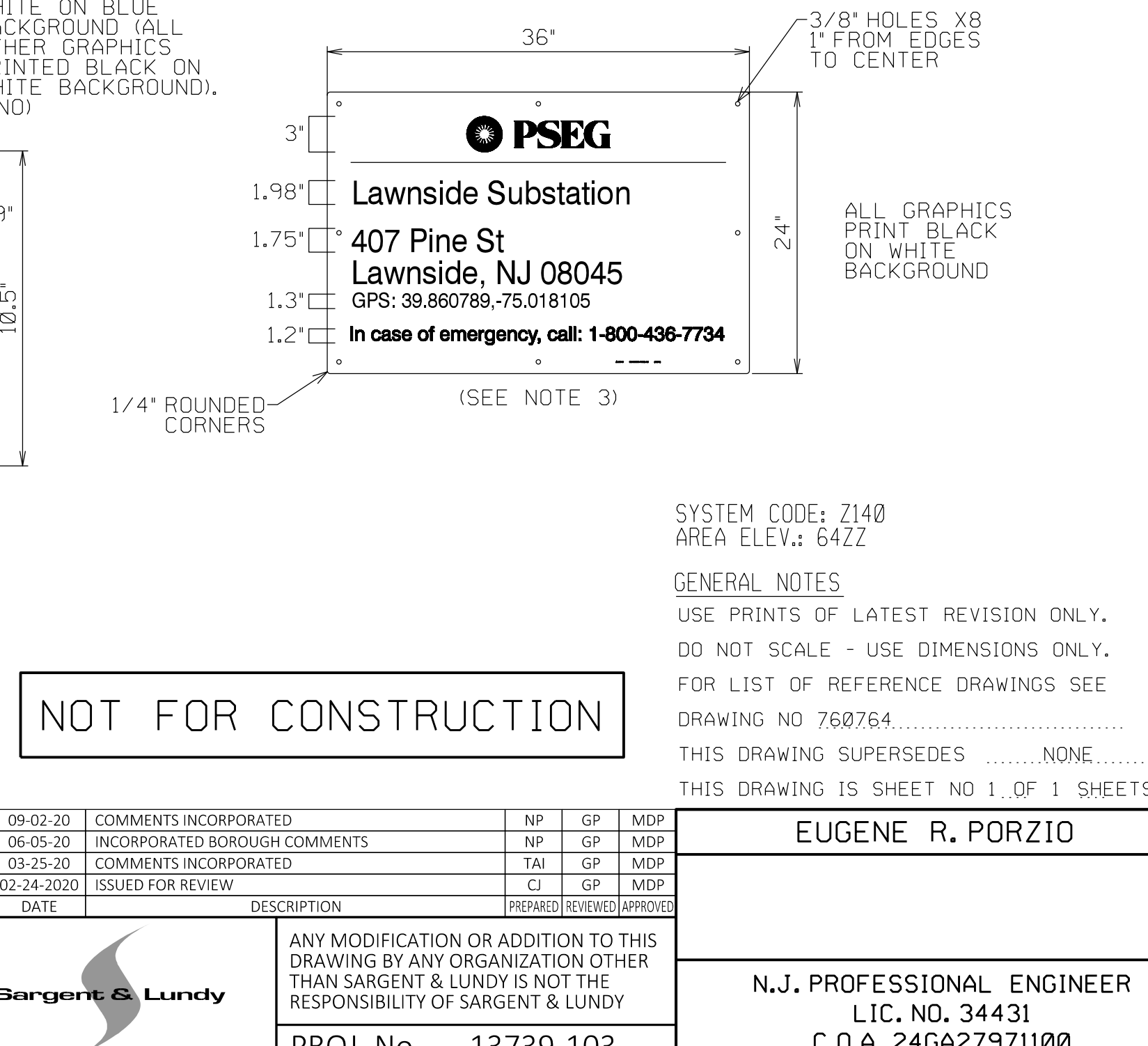
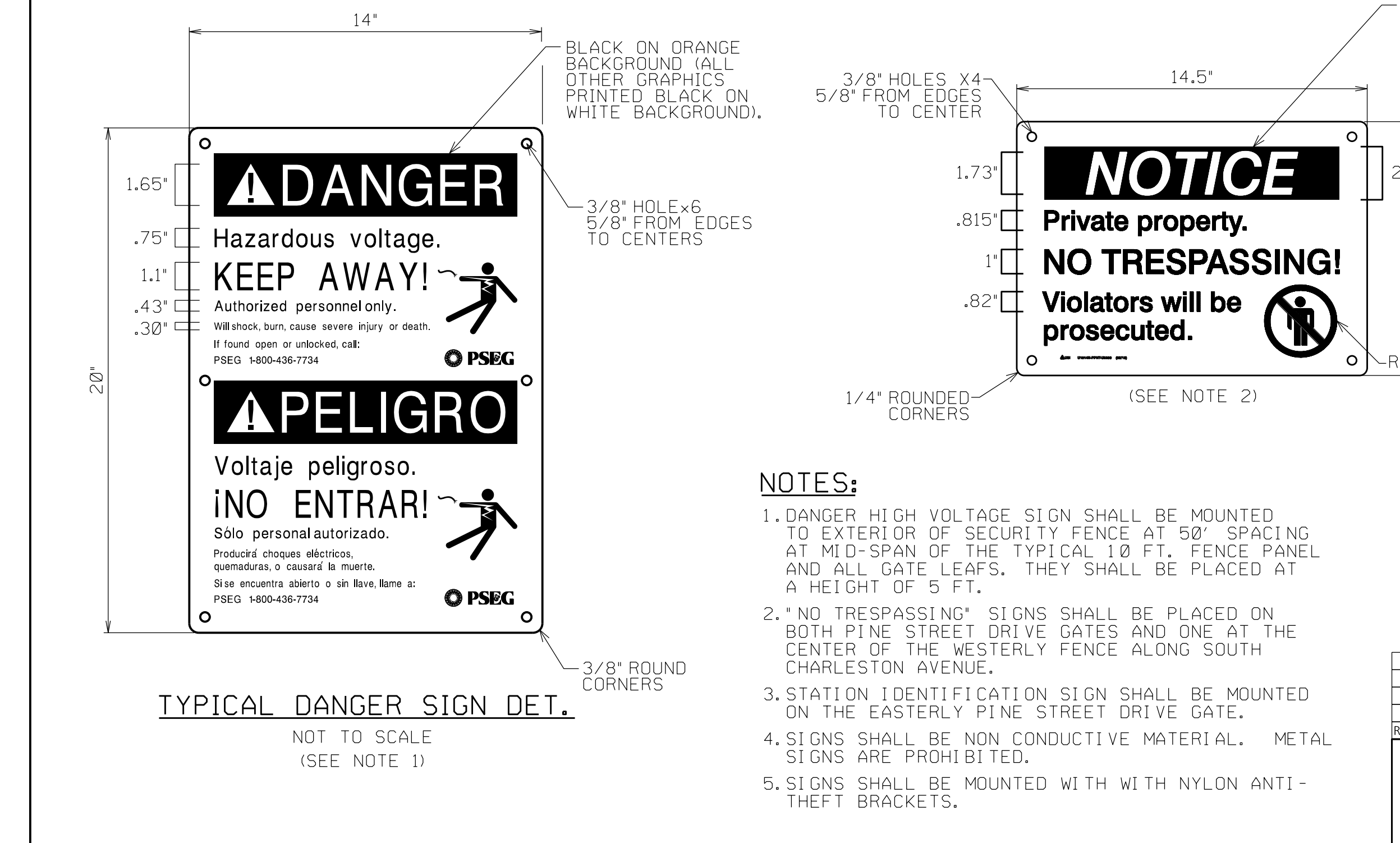
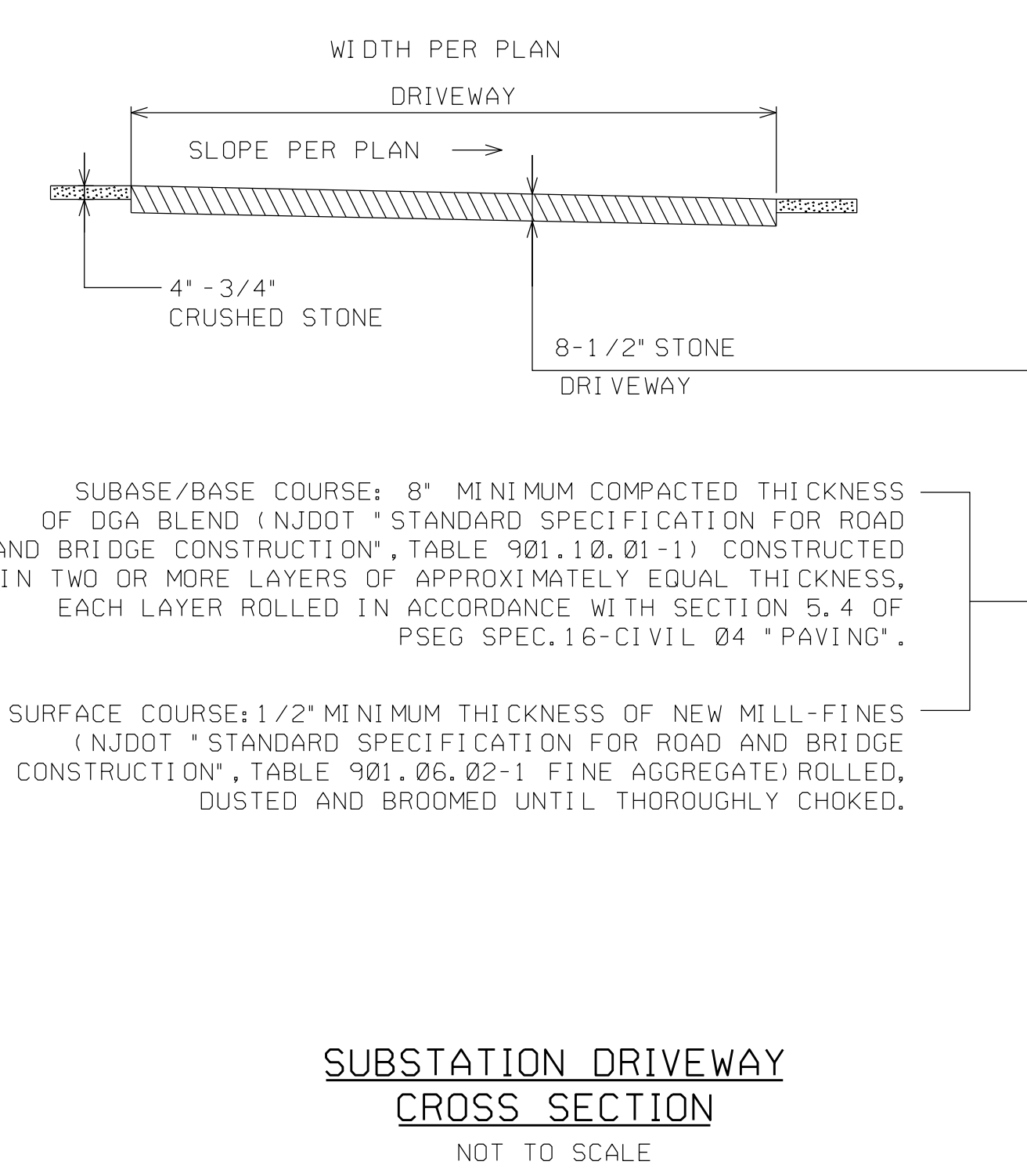
GATE FRAME	1-1/2" Ø SCH. 40	(1,900 O.D.)
GATE BRACES	1-1/4" Ø SCH. 40	(1,660 O.D.)
DOUBLE GATE POSTS	6" Ø SCH. 40	(6,625 O.D.)
TOP & BRACE RAILS	1-1/4" Ø SCH. 40	(1,660 O.D.)
LINE POSTS (4'-0" HIGH FENCE)	2" Ø SCH. 40	(2,375 O.D.)
LINE POSTS (8'-0" HIGH FENCE)	2-1/2" Ø SCH. 40	(2,875 O.D.)
LINE POSTS WITH SLATS (8'-0" HIGH FENCE)	3-1/2" Ø SCH. 40	(4,000 O.D.)
END, CORNER, & PULL POSTS (4'-0" HIGH FENCE)	2-1/2" Ø SCH. 40	(2,875 O.D.)
END, CORNER & PULL POSTS (8'-0" HIGH FENCE)	3" Ø SCH. 40	(3,500 O.D.)
GATE POSTS	3-1/2" Ø SCH. 40	(4,000 O.D.)

- NOTES:**
- OPENINGS 2' X 2' SQUARE #9 GAUGE ALUMINIZED STEEL FABRIC (BOTH EDGES OF FABRIC SHALL HAVE TWISTED SELVADE). VERTICAL FIBERGLASS SCREENING SLATS TO BE TOP LOCK 1-3/32" AS MANUFACTURED BY PEVCO OR APPROVED EQUAL. COLOR TO BE GREEN. SLATS TO BE INSTALLED IN FENCE ON ALL SIDES OF STATION. SLATS ARE NOT TO BE INSTALLED IN THE DRIVE GATES OR MAIN GATES.
 - ALL FENCE POSTS AND PIPES TO BE SCH. 40 GALVANIZED STEEL.
 - OTHER DETAILS TO BE AS SHOWN ON PSEG STANDARD DRAWING 313016, INSTALLATION TO BE IN ACCORDANCE WITH PSEG SPEC. 13-CIVIL20 "STATION PERIMETER FENCING & MISCELLANEOUS SITE PROTECTIVE BARRIERS".
 - FENCE TO BE GROUNDED.
 - STORMWATER BASIN FENCE, EXTENDING OUTSIDE OF THE STATION GROUND GRID, SHALL HAVE A MINIMUM TEN FOOT (10') SECTION INSULATED FROM THE GROUNDED FENCE. SEE FIGURE 6.49 "PERIMETER FENCE ISOLATION" IN PSEG CONSTRUCTION STANDARDS MANUAL.
 - CONTRACTOR TO PROVIDE SHOP DRAWINGS TO INCLUDE COMPLETE DETAILS OF FENCE AND GATE CONSTRUCTION, HEIGHTS, POST SPACINGS, POST AND OPERATOR FOUNDATIONS, AND OPERATOR INSTALLATION MANUALS AND WIRING DIAGRAMS FOR ENGINEER'S REVIEW/APPROVAL AT LEAST FOUR WEEKS PRIOR TO FABRICATION. MOTOR OPERATORS SHALL BE LIFTMASTER MODEL SL585 OR APPROVED EQUAL. DRIVE GATES SHALL BE LIFTMASTER MODEL SL585 OR APPROVED EQUAL. COMPONENTS OF THE MANUAL OVERRIDE SHALL BE SECURELY ENCLOSED AND LOCKED IN A 10 GAUGE STEEL ENCLOSURE. ELECTRIC MOTOR TO BE 1-1/2HP-115/230 VOLT SINGLE PHASE. CARD READER ACTIVATION SHALL BE PROVIDED IN AND OUTSIDE GATE ALONG WITH HARD-WIRED REMOTE ACTIVATION.



DRIVEWAY CONSTRUCTION RADI CENTER COORDINATES & SIZES (R²)

POINT	STATION COORDINATES	SIZE (RADIUS)	
	NORTHING	EASTING	
1	S1+17.00'	W5+09.08'	10'
2	S1+20.58'	W5+70.08'	35'
3	S1+78.00'	W5+06.08'	35'
4	S2+72.00'	W5+06.08'	35'
5	S1+68.00'	W3+92.25'	25'
6	S2+72.00'	W4+02.25'	35'
7	S1+68.00'	W3+26.25'	25'
8	S2+72.00'	W3+16.25'	35'
9	S1+53.00'	W3+06.08'	10'
10	S2+94.50'	W3+08.50'	12.5'
11	S1+53.00'	W2+70.00'	10'
12	S2+94.50'	W2+67.50'	12.5'
13	S1+53.00'	W1+84.00'	10'
14	S2+72.00'	W2+09.00'	35'
15	S1+68.00'	W1+13.00'	45'



NO.	DATE	DESCRIPTION	DWN	CKD	EXD	APD
REVISION						
LAWNSIDE SUBSTATION						
69/13KV SUBSTATION						
CIVIL SITE DETAILS						
SHEET 1						
CIVIL/ENVR						
PSEG						
PUBLIC SERVICE ELECTRIC AND GAS COMPANY						
ELECTRIC DELIVERY COMPANY - ASSET RELIABILITY, NEWARK, N.J.						
DRAWN	BY: I.M.T.I.L.	CHECKED	BY: E.PORZIO	SCALE	NONE	
DATE	02/24/2020		EXAMINED			
WBS/SO	5_9200210J11		APPROVED			
760761 A - 0						