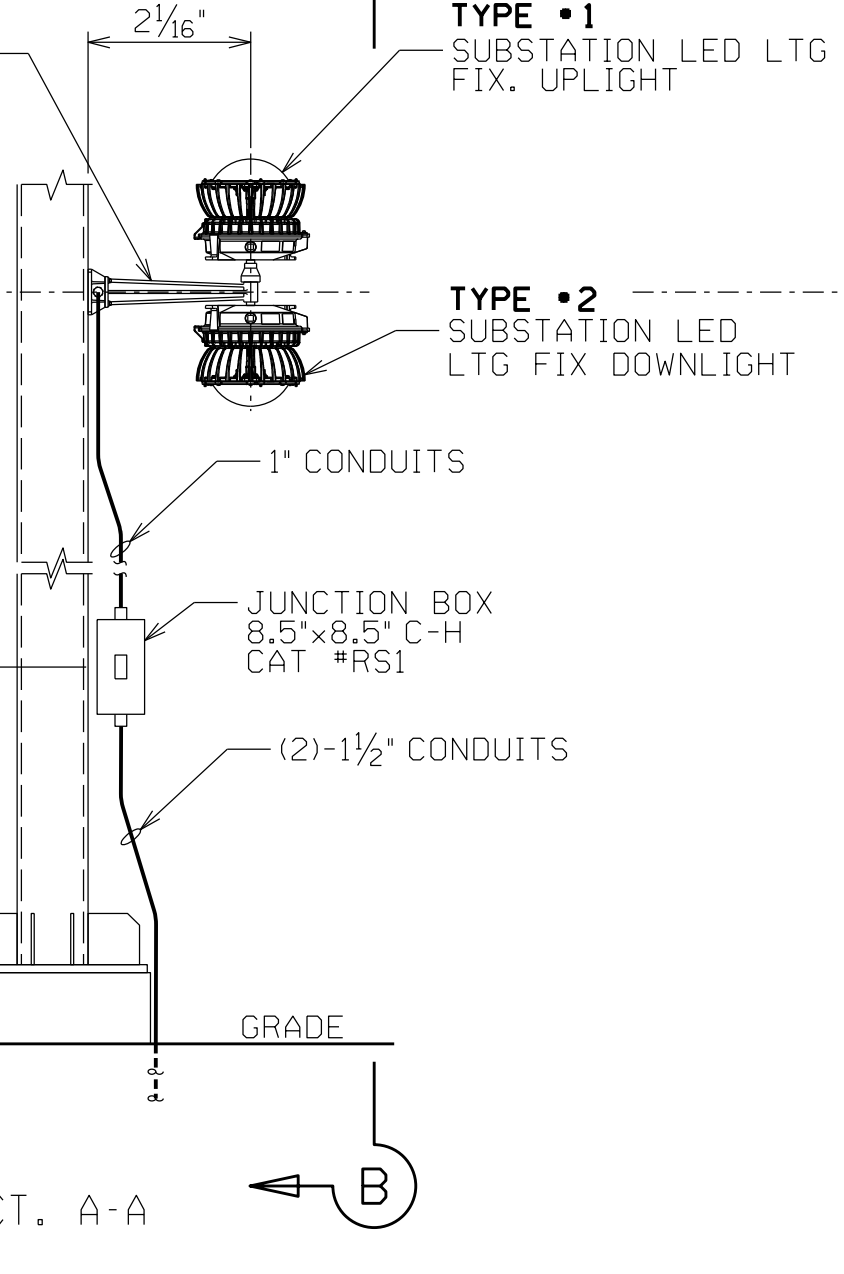


FIREWALL MOUNTED PREDATOR "PMLED" FIXTURES
FRONT VIEW (NOT TO SCALE)

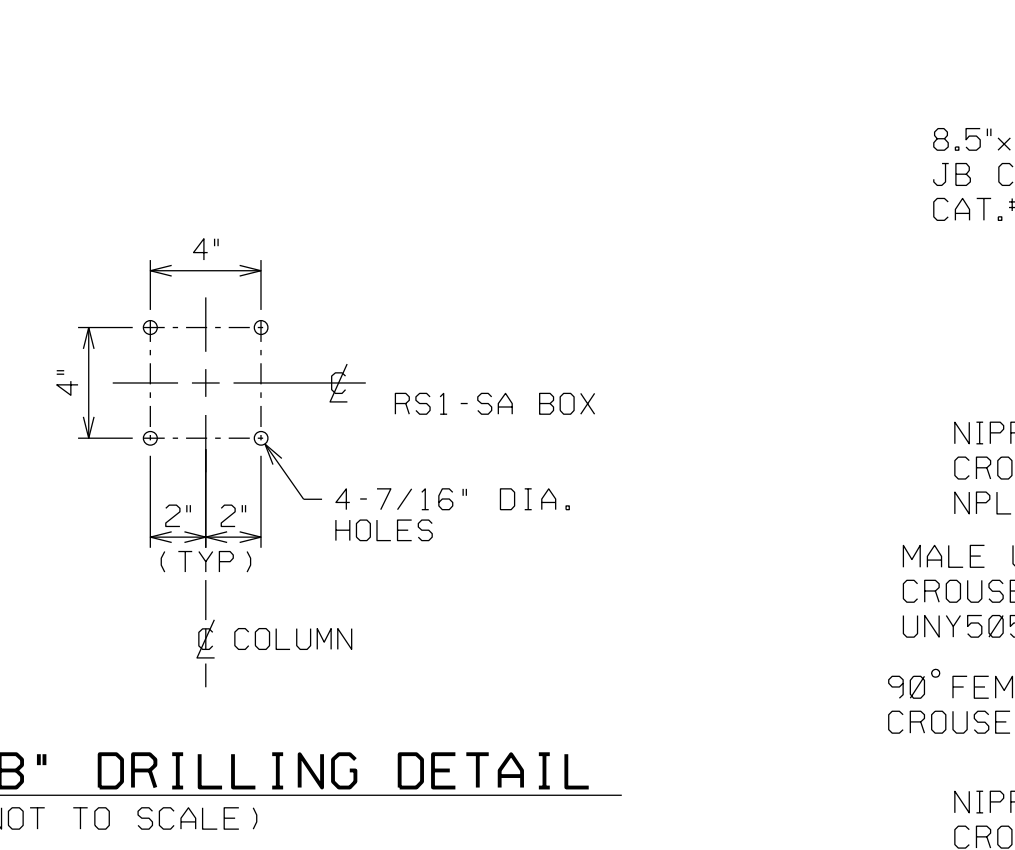
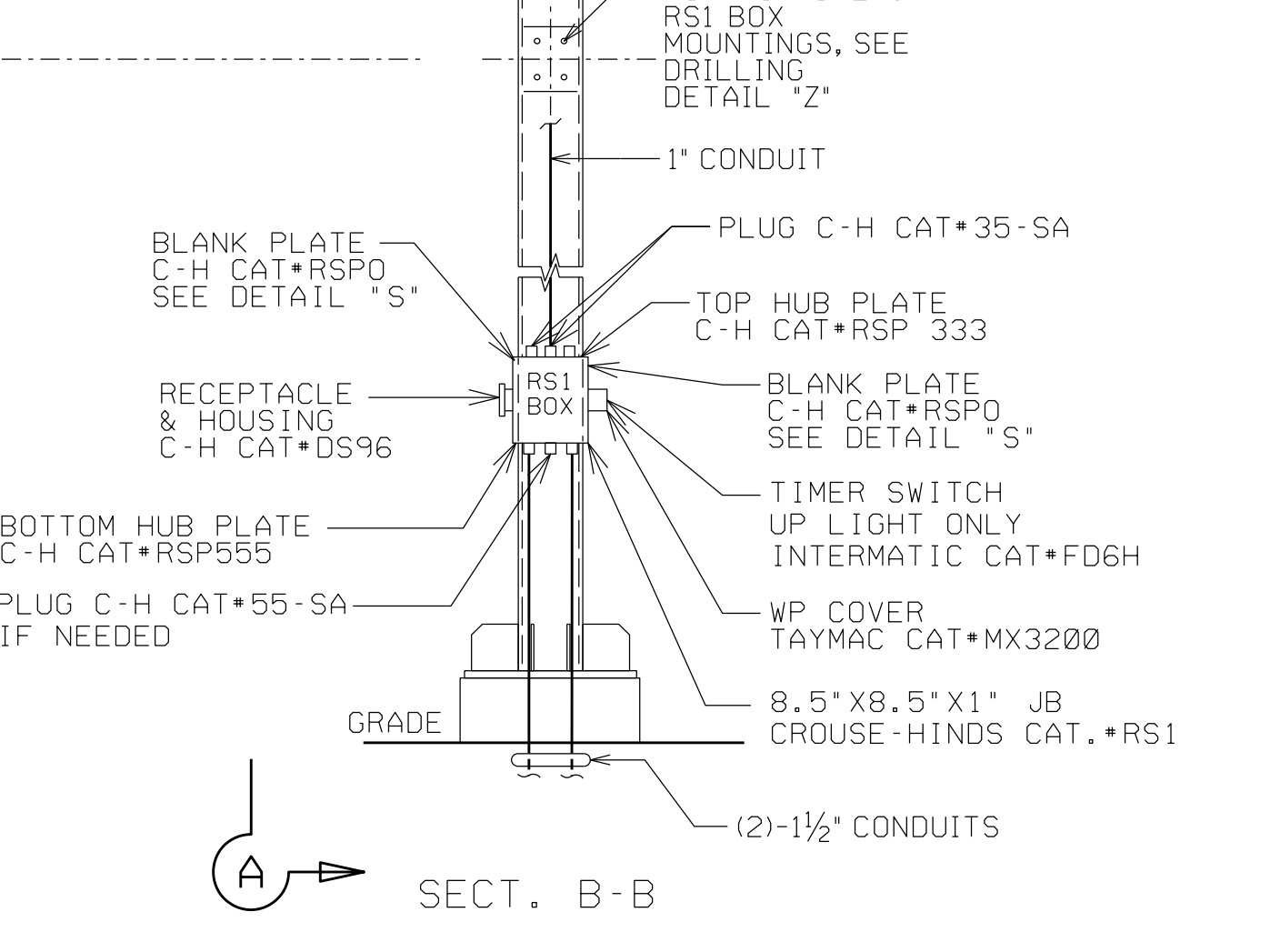
FIREWALL MOUNTED PREDATOR "PMLED" FIXTURES
RIGHT SIDE VIEW (NOT TO SCALE)

'JB' ASSEMBLY DETAIL FOR HOLOPHANE "PMLED" FIXTURES
(NOT TO SCALE)

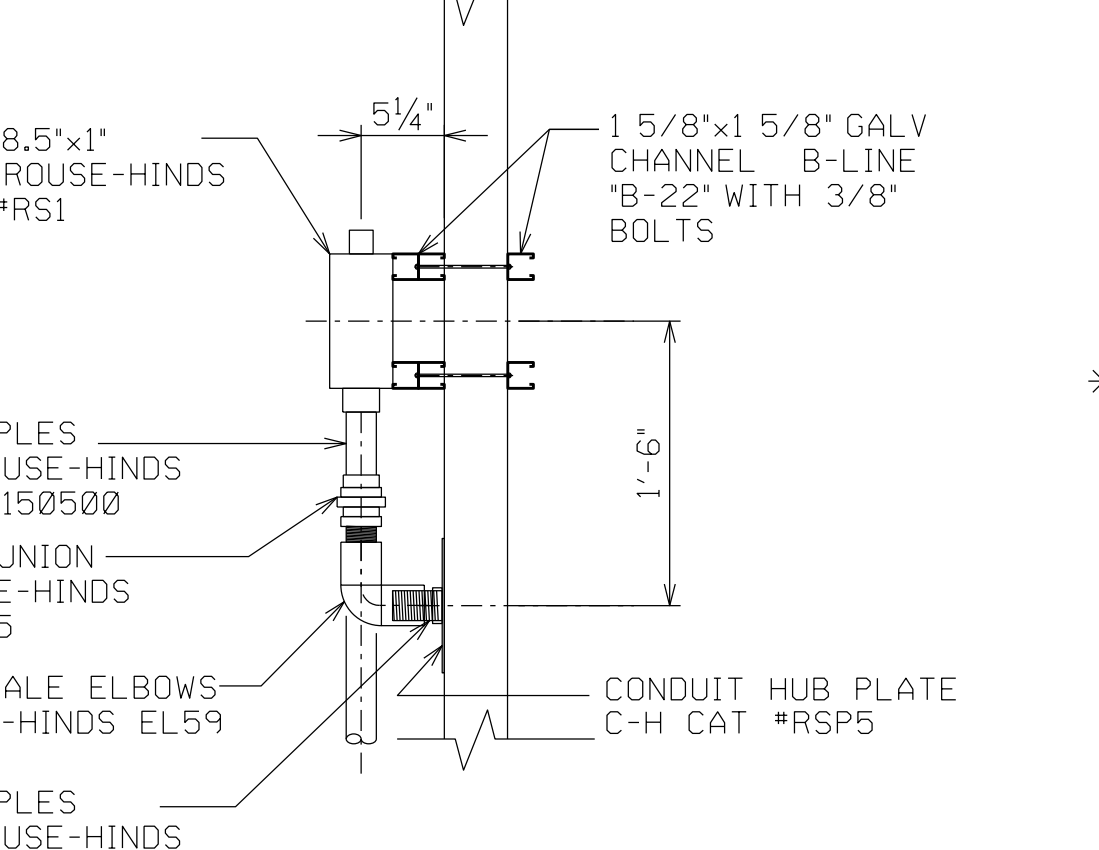
TYP. LIGHTING ARRANGEMENT AT "H" FRAME
SCALE: NTS



TYP. LIGHTING ASSEMBLY AT VERTICAL COLUMN
SCALE: NTS



'JB' DRILLING DETAIL
(NOT TO SCALE)



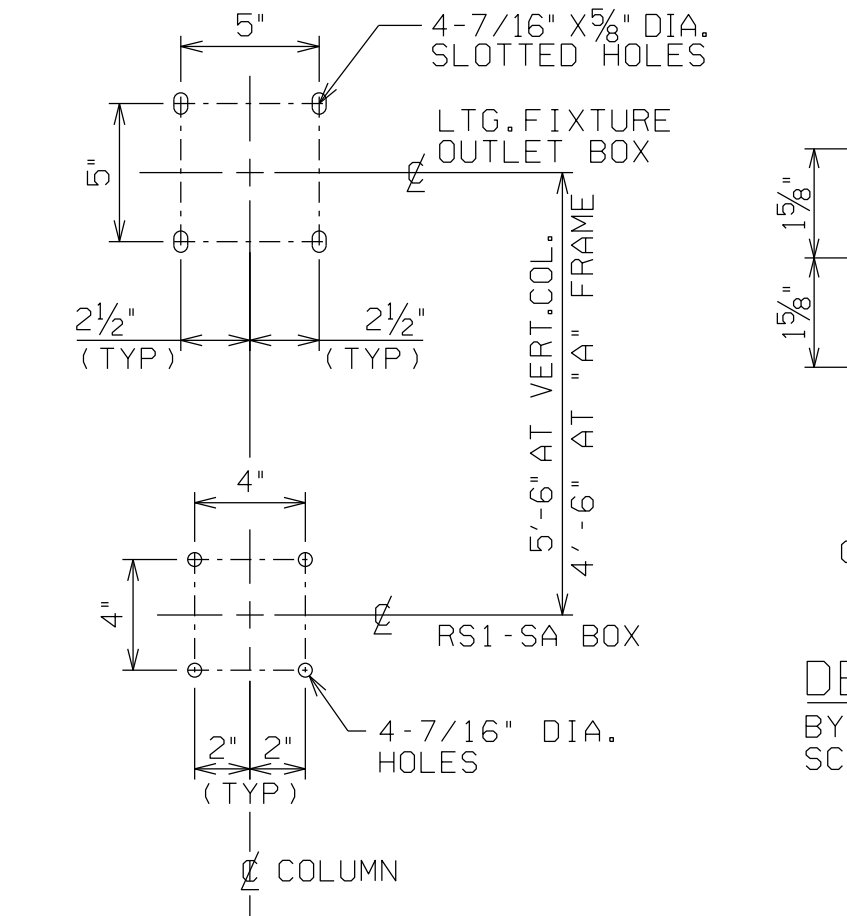
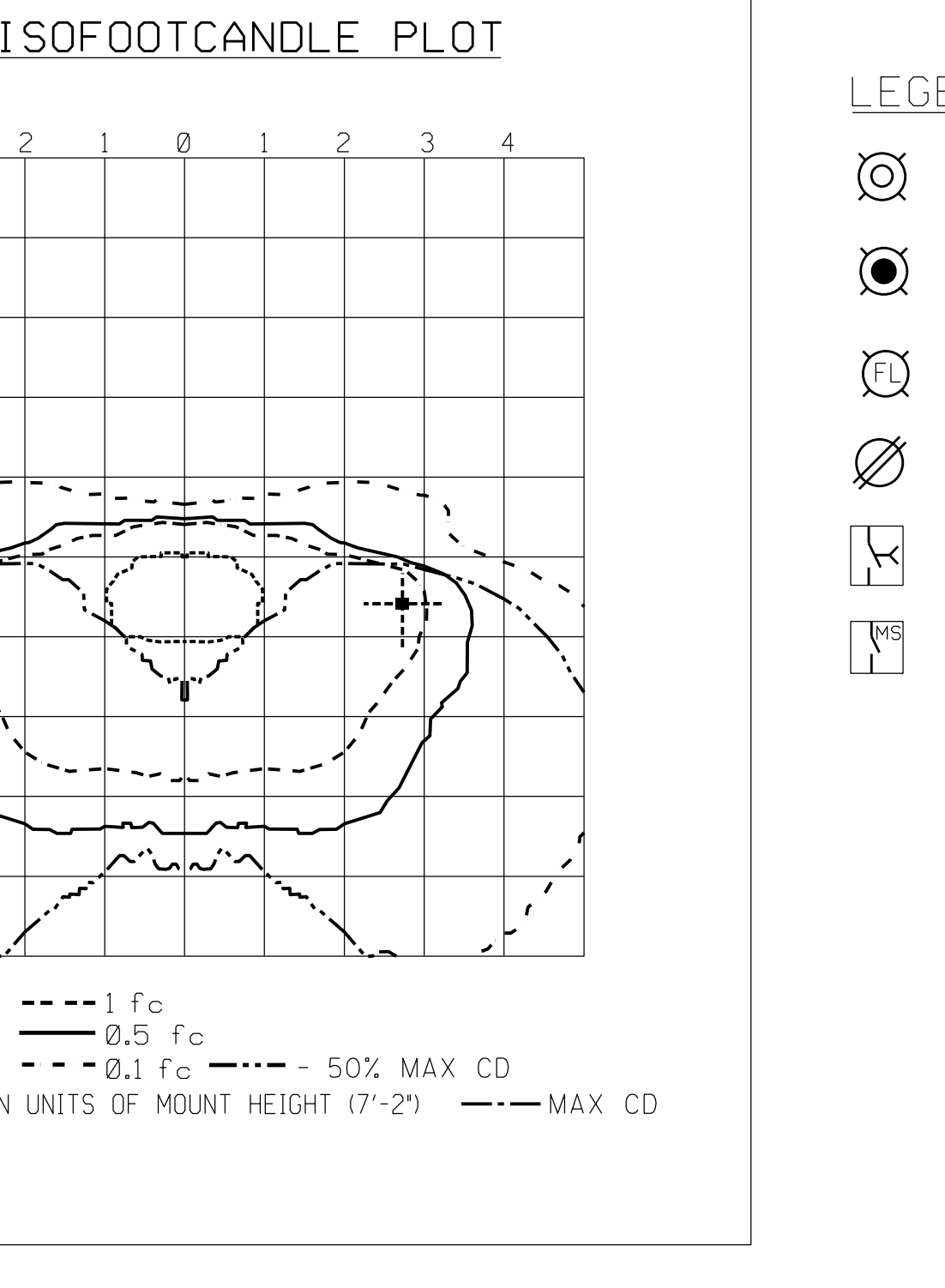
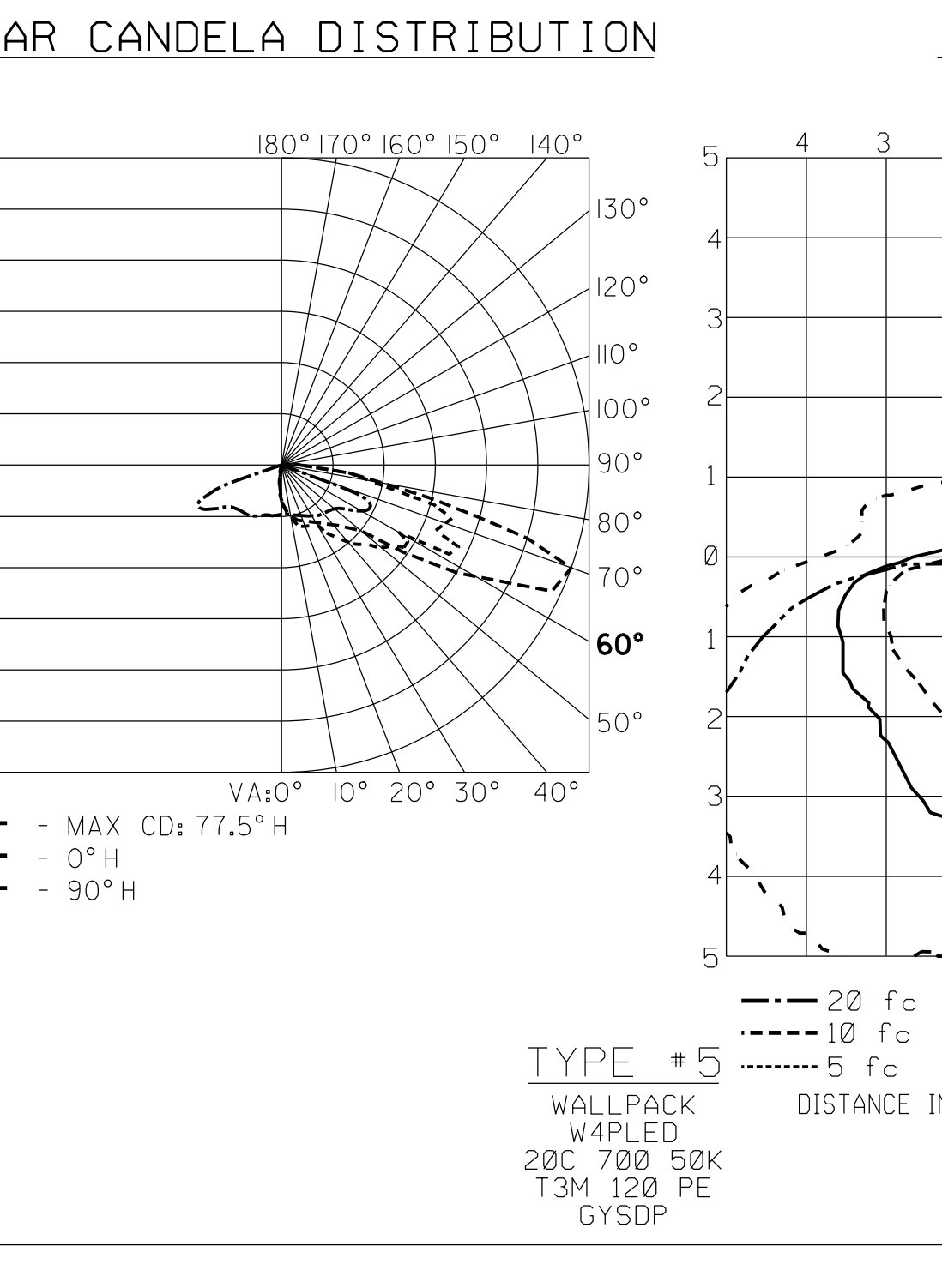
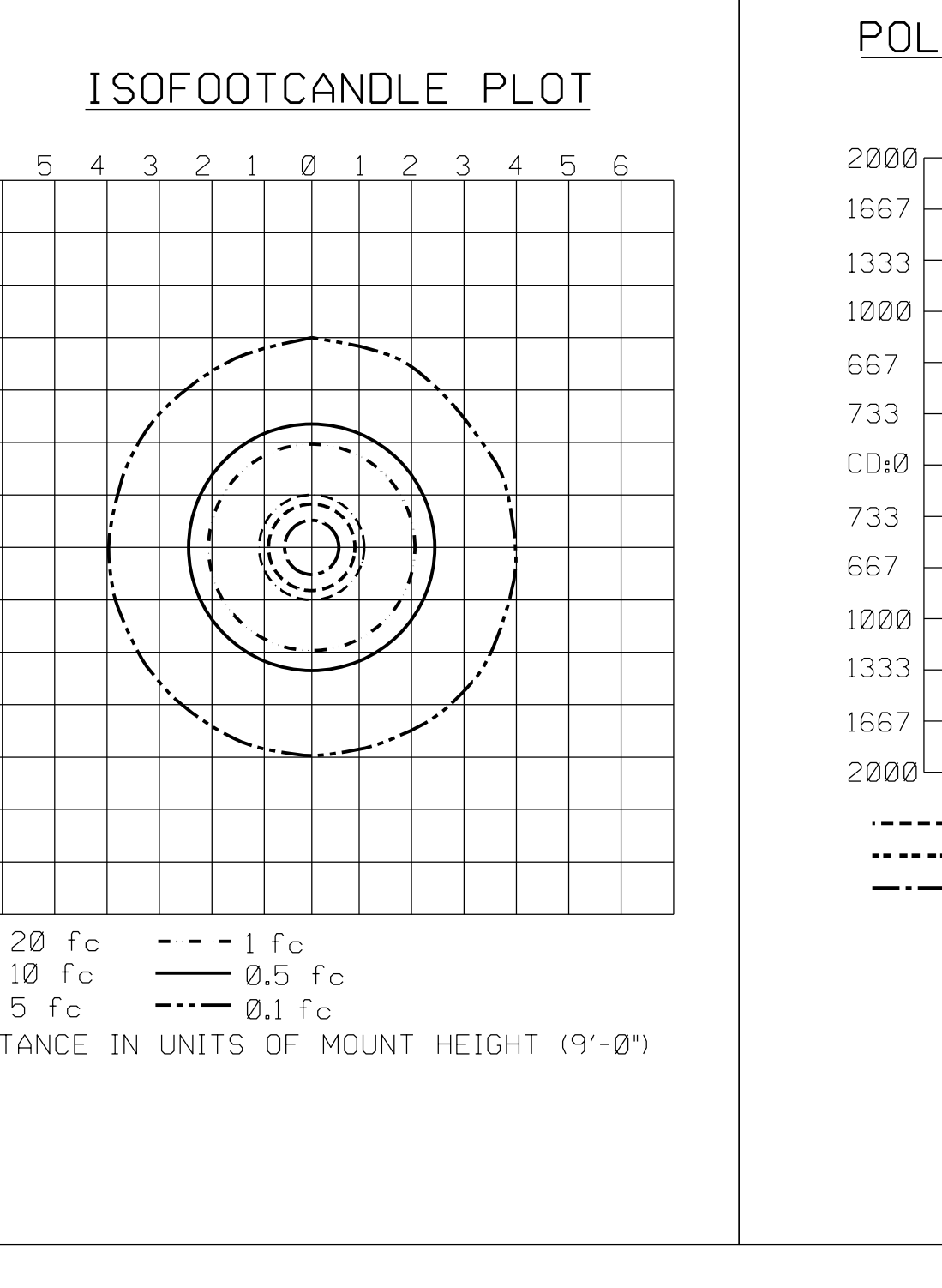
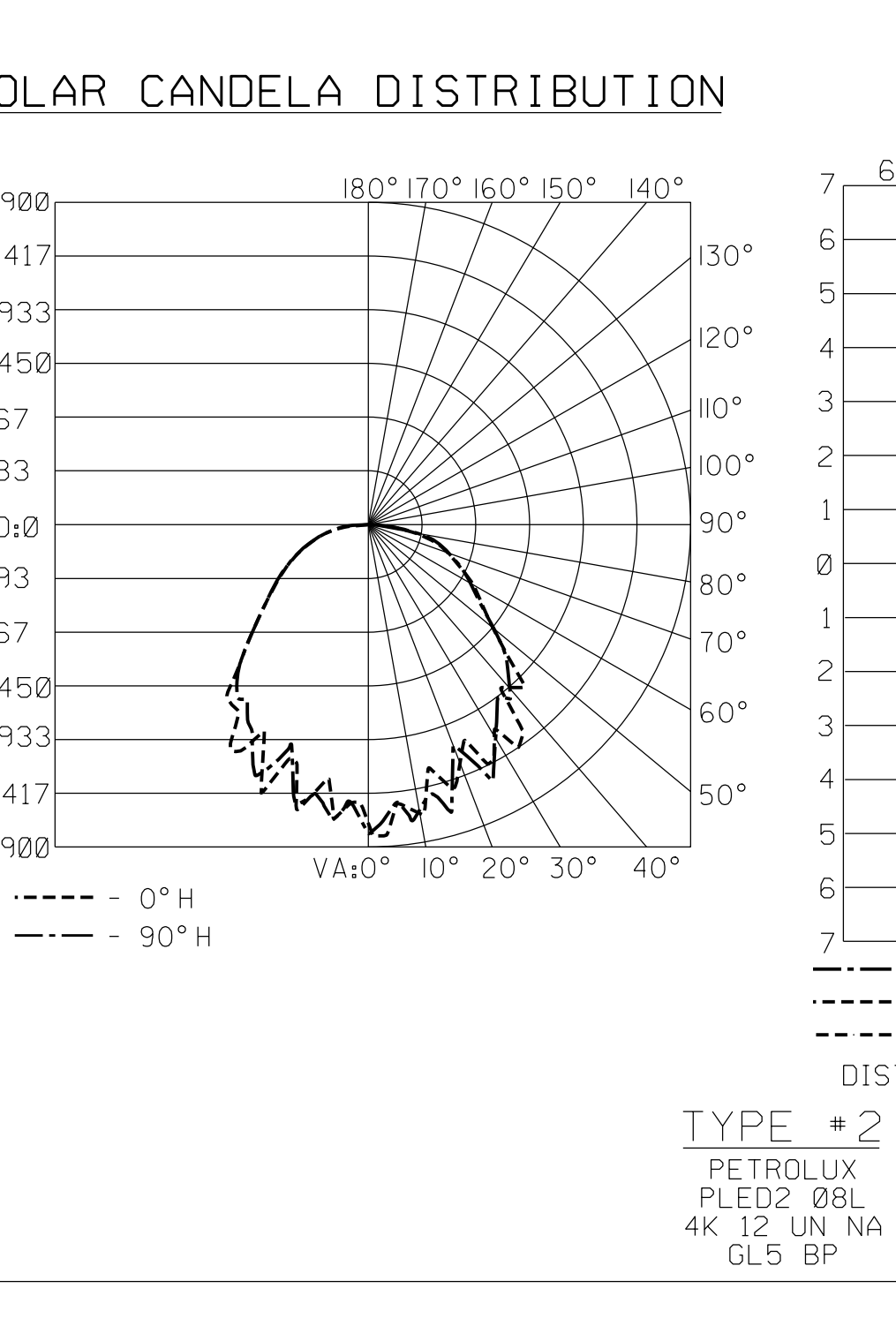
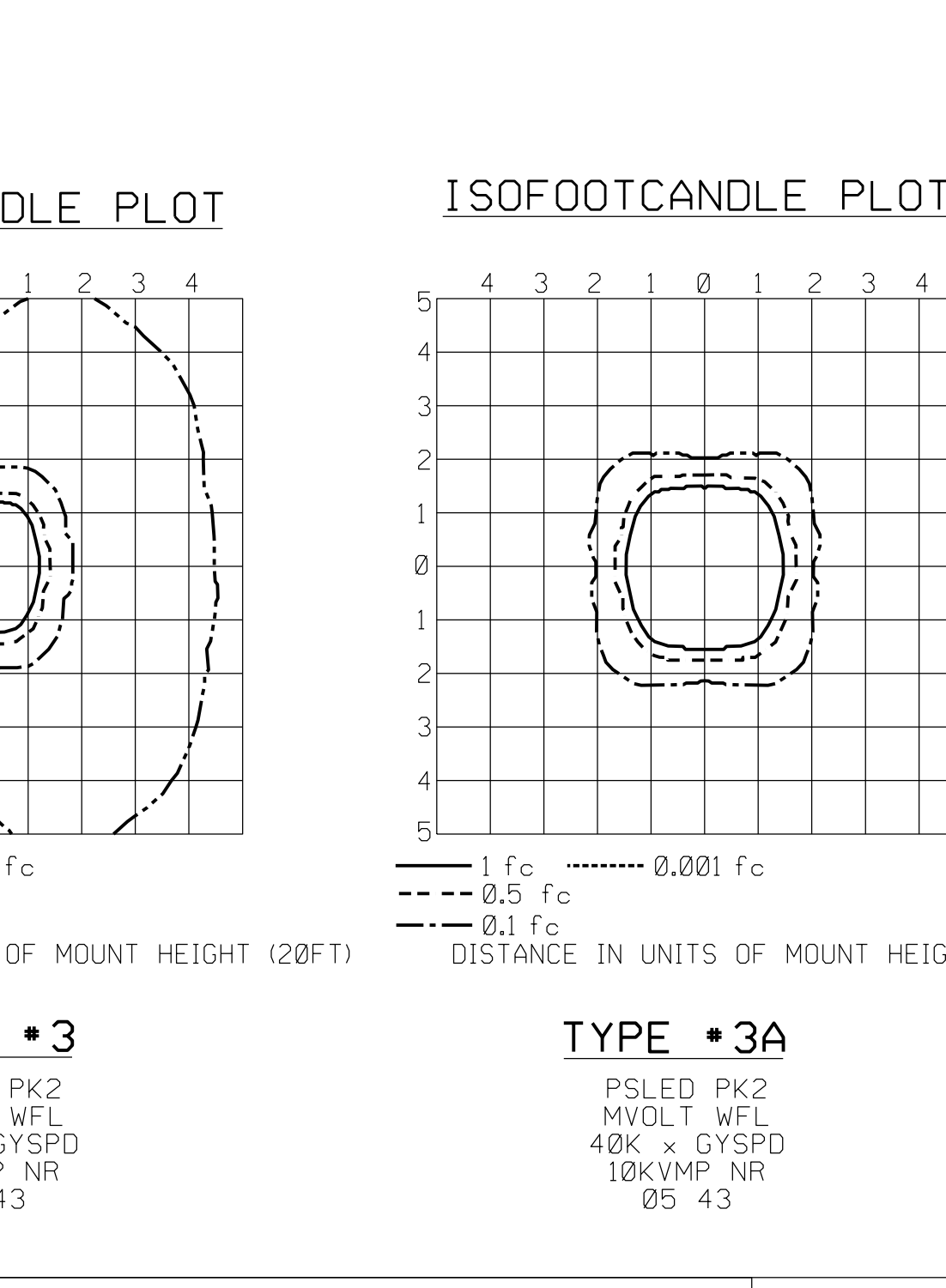
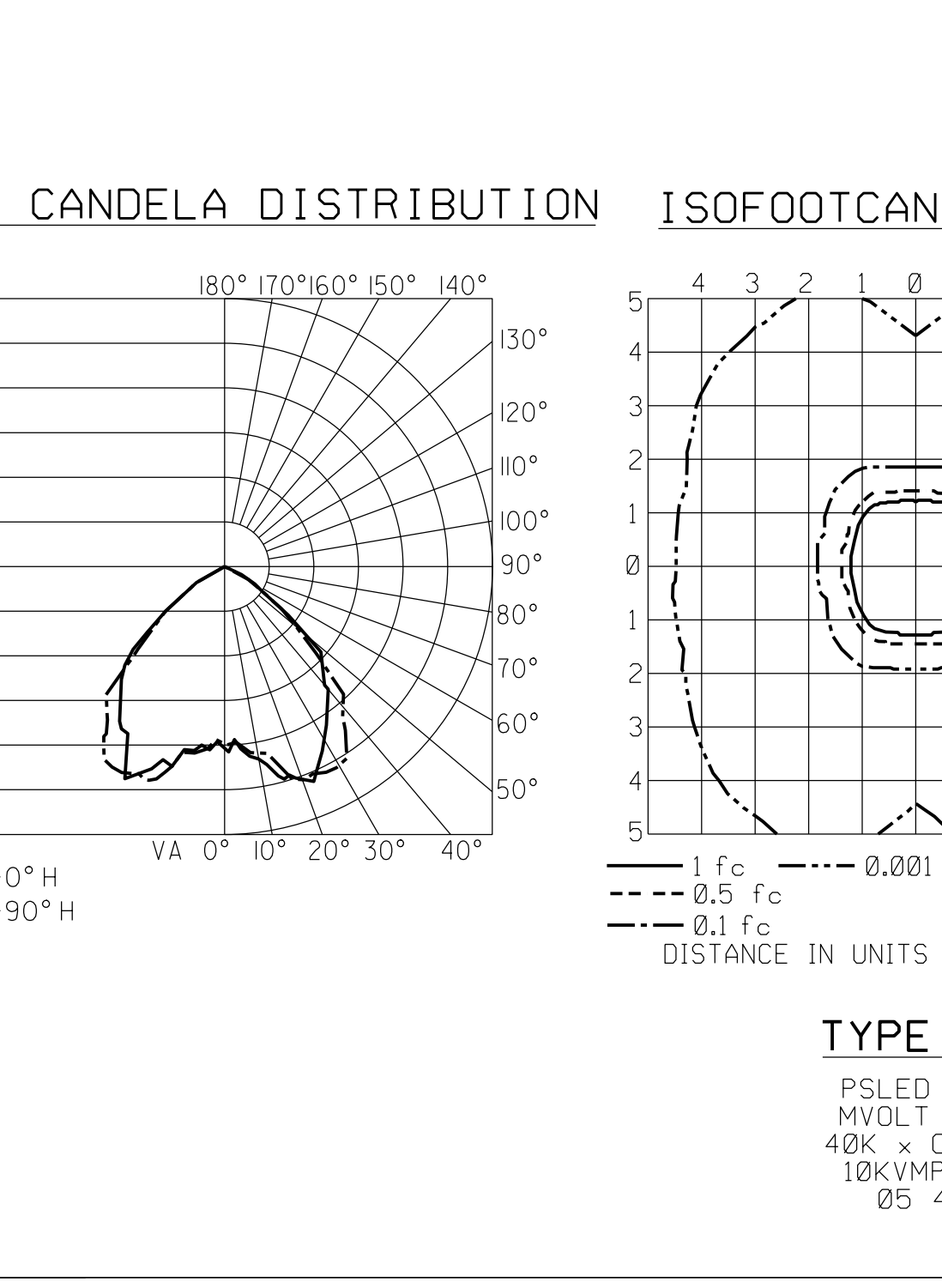
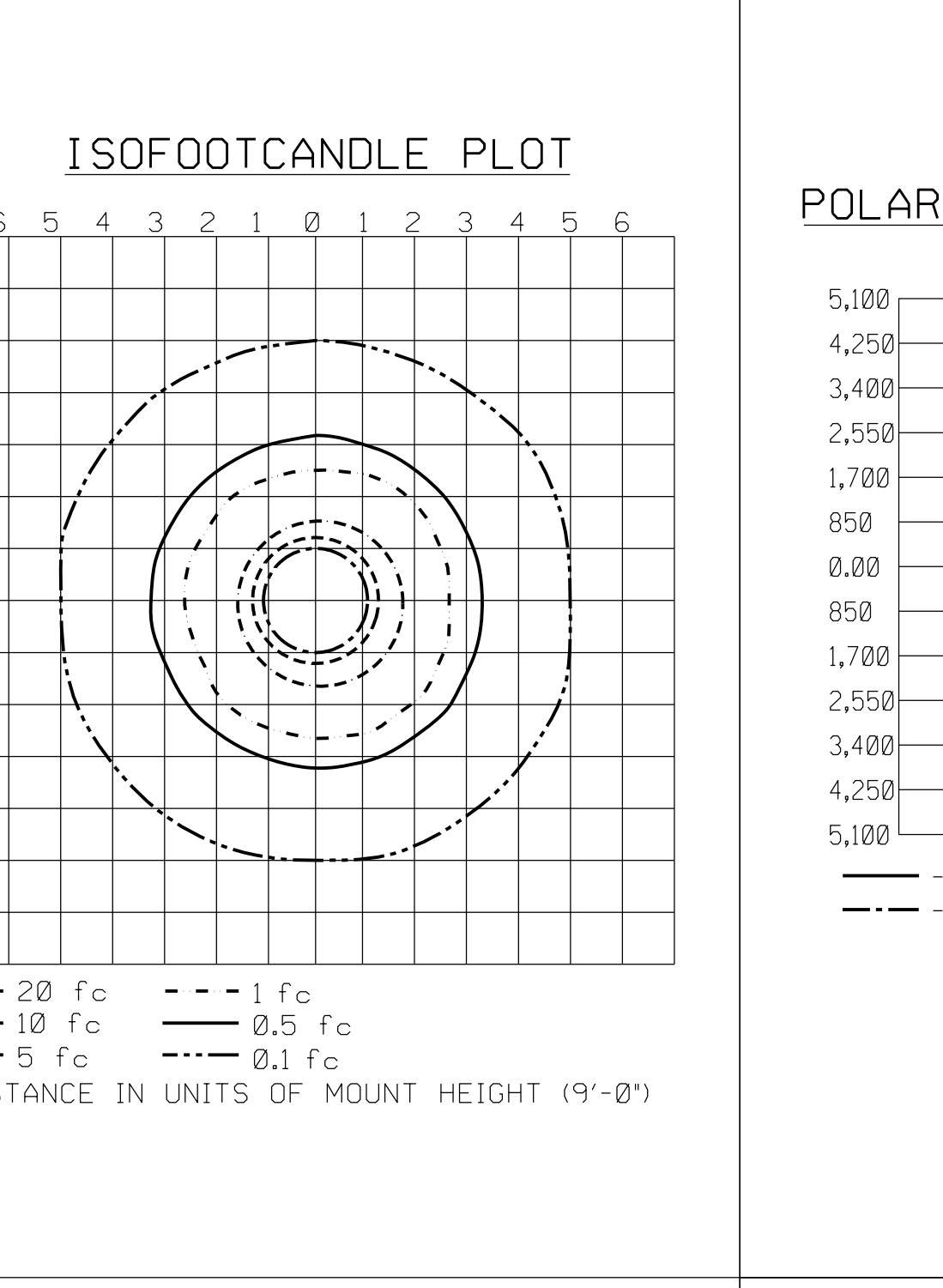
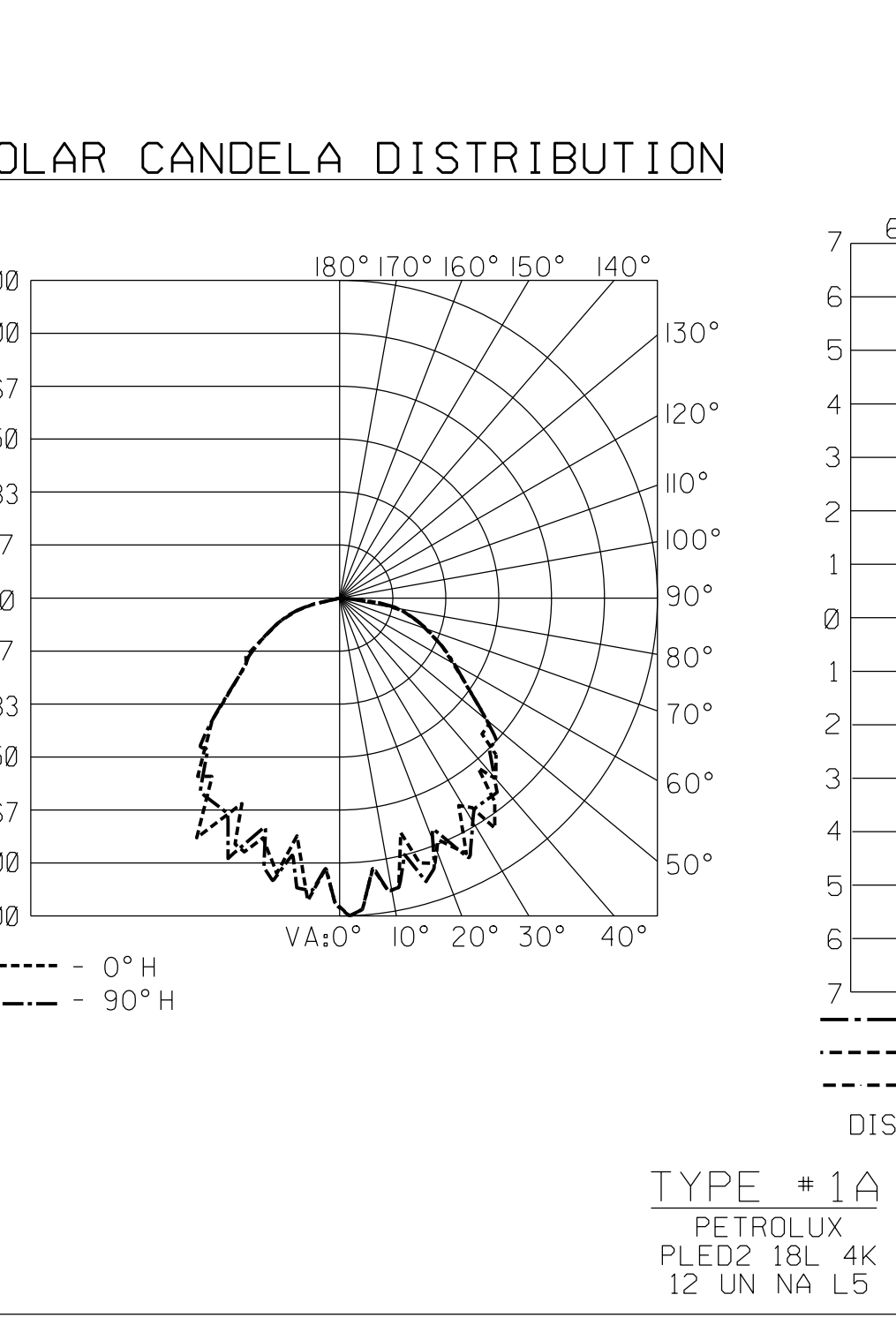
DET. 1 - SECTION
(NOT TO SCALE)

FIXTURE SCHEDULE

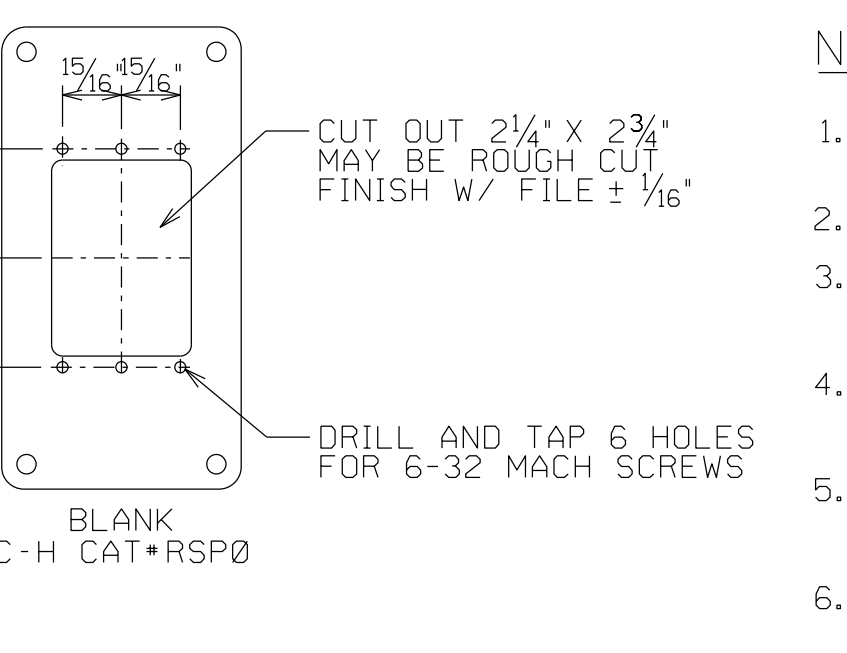
LIGHTING FIXTURE	MANUFACTURER'S CATALOG NO./CUT SH.	FIXTURE DESCRIPTION	LIGHT LOSS FACTOR	LED WATTAGE & VOLTAGE	MTG HEIGHT & DEGREE TILT	MOUNTING, ALL FIXTURES FIELD DRILL PER HOLOPHANE FIXTURE NOTES & DETAILS	QTY	REMARKS
TYPE #1	HOLOPHANE LIGHTING PETROLUX LED PLED2 1BL 4K 12 UN NA GL5	STANDARD UPLIGHT "LED" W/TIMER SWITCH	0.90	195W LED 120V	8'-6" MIN	FIELD DRILL PER HOLOPHANE FIXTURE NOTES & DETAILS	4	
TYPE #2	HOLOPHANE LIGHTING PETROLUX LED PLED2 0BL 4K 12 UN NA GL5 8P	STANDARD DOWNLIGHT "LED" W/BUTTON PHOTOCELL & OCCUPANCY SENSOR	0.90	74W LED 120V	8'-6" MIN	FIELD DRILL PER HOLOPHANE FIXTURE NOTES & DETAILS	12	
TYPE #3	HOLOPHANE LIGHTING PSLED PK2 MVOLT WFL 40K x GYSPD 10KVP NR 05 43	STANDARD FLOODLIGHT "LED" W/ LOCALLY TIMER SWITCH	0.90	81W LED 120-277V	13'-8" FIELD ADJ. TILT	FIELD DRILL PER HOLOPHANE FIXTURE NOTES & DETAILS	2	SEE FIXTURE NOTE BELOW
TYPE #3A	HOLOPHANE LIGHTING PSLED PK2 MVOLT WFL 40K x GYSPD 10KVP NR 05 43	STANDARD FLOODLIGHT "LED" W/BUTTON PHOTOCELL INCL. SENSOR SWITCH	0.90	81W LED 120-277V	13'-8" FIELD ADJ. TILT	FIELD DRILL PER HOLOPHANE FIXTURE NOTES & DETAILS	4	SEE FIXTURE NOTE BELOW
TYPE #5	WALLPACK LED W4PLED 20C 700 50K 13M 120 PE GYSPD	STANDARD DOWNLIGHT "LED" W/BUTTON PHOTOCELL & OCCUPANCY SENSOR	0.90	45W LED 120-277V	7'-10" MIN	FIELD DRILL PER HOLOPHANE FIXTURE NOTES & DETAILS	20	

FIXTURE NOTES:
1. ± DENOTES LUMINAIRE MOUNTING METHOD TO BE SELECTED BASE ON THE APPLICATIONS.
EXAMPLES:
A. IF WALL MOUNTED - USE YOKE MOUNTING FRAME
B. IF SET ON SINGLE MONOPOLE - USE TENON SLIPFITTER.

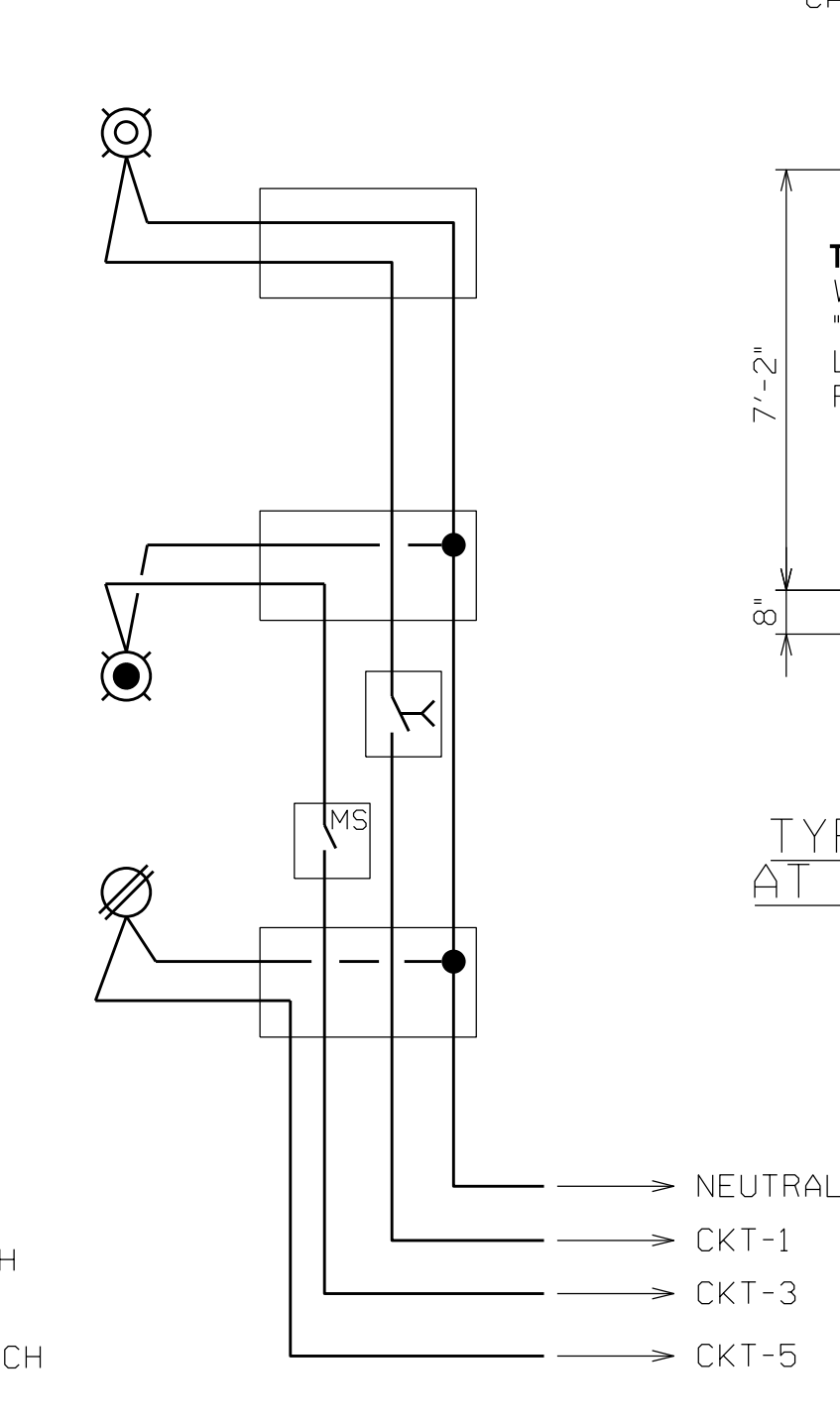
PHOTOMETRIC



DRILLING DETAIL "Z"
SCALE: NTS

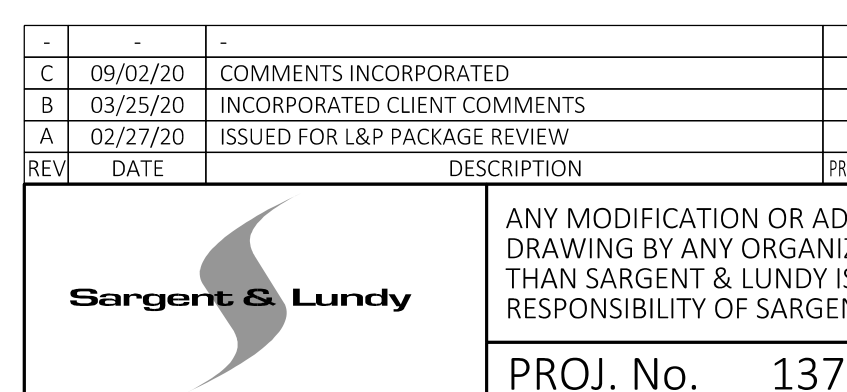


DETAIL "S"
BY FIELD OR PREFAB SCALE: NTS



TYPICAL LIGHTING ASSEMBLY AT CONTROL HOUSE ENTRANCE
SCALE: NTS

RECEPTACLE & LIGHTING FIXTURE SCHEMATIC DIAGRAM (PER POLE)



NOTES:

- DOWN LIGHTS WILL NORMALLY BE ON FOR GENERAL ILLUMINATION AND SECURITY PURPOSES.
- f_c = FOOT CANDLES
- UPLIGHTS ARE SWITCHED AT LIGHT POSITIONS, WHERE AN UPLIGHT IS NOT INSTALLED, USE RSPD BLANKS IN PLACE OF SWITCH ASSEMBLY.
- UPLIGHTS, DOWNLIGHTS & RECEPTACLES SHALL HAVE A SEPARATE CIRCUIT, SEE SCHEMATIC DIAGRAM ON THIS DWG.
- ARM BRACKETS (DOUBLE OR SINGLE) ARE INTEGRAL PART OF UPLIGHTS. DOWNLIGHTS LUMINAIRE WHEN PLACING PURCHASE ORDER.
- PROVIDE MIN. OF 12" GAP BETWEEN OPTICAL ASSEMBLY AND BOTTOM OF DISCONNECT SWITCH BASES FOR BULB MAINTENANCE PURPOSES.
- TIMER SWITCH APPLIES TO FIREWALL UPLIGHT FIXTURES ONLY.
- MOUNT LIGHTING FIXTURES & OUTLET BOXES ON CONC. WALLS OR COLUMN. USE YOKE MOUNTING FRAME & BOLTS ON LIGHTING FIXTURES, DRILLING AS PER MANUFACTURER'S REQUIREMENT.
- ALL DOWNLIGHTS SHALL BE CONNECTED WITH MOTION SENSOR, SINCE THIS SENSOR IS NOT INTEGRAL PART OF LIGHTING FIXTURE, SINCE THIS SENSOR IS NOT INTEGRAL PART OF LIGHTING FIXTURE, THE MANUFACTURER SHALL PROVIDE OPENING ON METAL POLE INCLUDING THE LOCATION/POSITION AND INSTALLATION SUPPORT. ORDER MOTION SENSOR SWITCH "SB0R10" SEPARATELY FROM LIGHTING FIXTURE.
- FOR TYPES, DESCRIPTIONS, MOUNTING HEIGHT AND LIGHTING INTENSITY OF ALL FIXTURES SEE FIXTURE SCHEDULE, NOTES & LEGEND.
- ALL LIGHTING CABLES TO BE RUN VIA STATION TRENCH WHERE POSSIBLE OR 1/2" PVC CONDUIT SCH. 40 WITH A MIN. OF 24" BELOW GRADE. USE GALV. STEEL CONDUIT FOR ALL ABOVE GRADE INSTALLATION.
- FLOODLIGHTS & RECEPTACLES SHALL HAVE A SEPARATE CIRCUIT. SEE SCHEMATIC DIAGRAM ON THIS DWG.

REFERENCE DRAWINGS:

- ULTIMATE LIGHTING DISTRIBUTION PLAN.....DWG.#268720-A-3

NOT FOR CONSTRUCTION

SYSTEM CODE:Z140
AREA ELEV.:6422
GENERAL NOTES
USE PRINTS OF LATEST REVISION ONLY. DO NOT SCALE - USE DIMENSIONS ONLY. FOR LIST OF REFERENCE DRAWINGS SEE DRAWING NO. THIS DWG. THIS DRAWING SUPERSEDES NONE. THIS DRAWING IS SHEET NO. J OF 1 SHEETS.

NO	DATE	DESCRIPTION	DWN	CKD	EXD	APD
REVISION						
LAWNDSIDE SUBSTATION						
69/13KV SUBSTATION						
"LED" LIGHTING DESIGN, FIXTURE SCHEDULES & DETAILS						
ARRANGEMENT			ELECTRICAL			
PSEG						
PUBLIC SERVICE ELECTRIC AND GAS COMPANY						
ELECTRIC DELIVERY COMPANY - ASSET RELIABILITY, NEWARK, N.J.						
DRAWN: J.P. BENTON / CHECKED: J.P. BENTON / SCALE: NOT TO SCALE						
DATE: 03/25/20 / EXAMINED: /						
WBS/SO: C_92002.1.8.1.2.1 / APPROVED: /						
SARGENT & LUNDY						
760806 A						