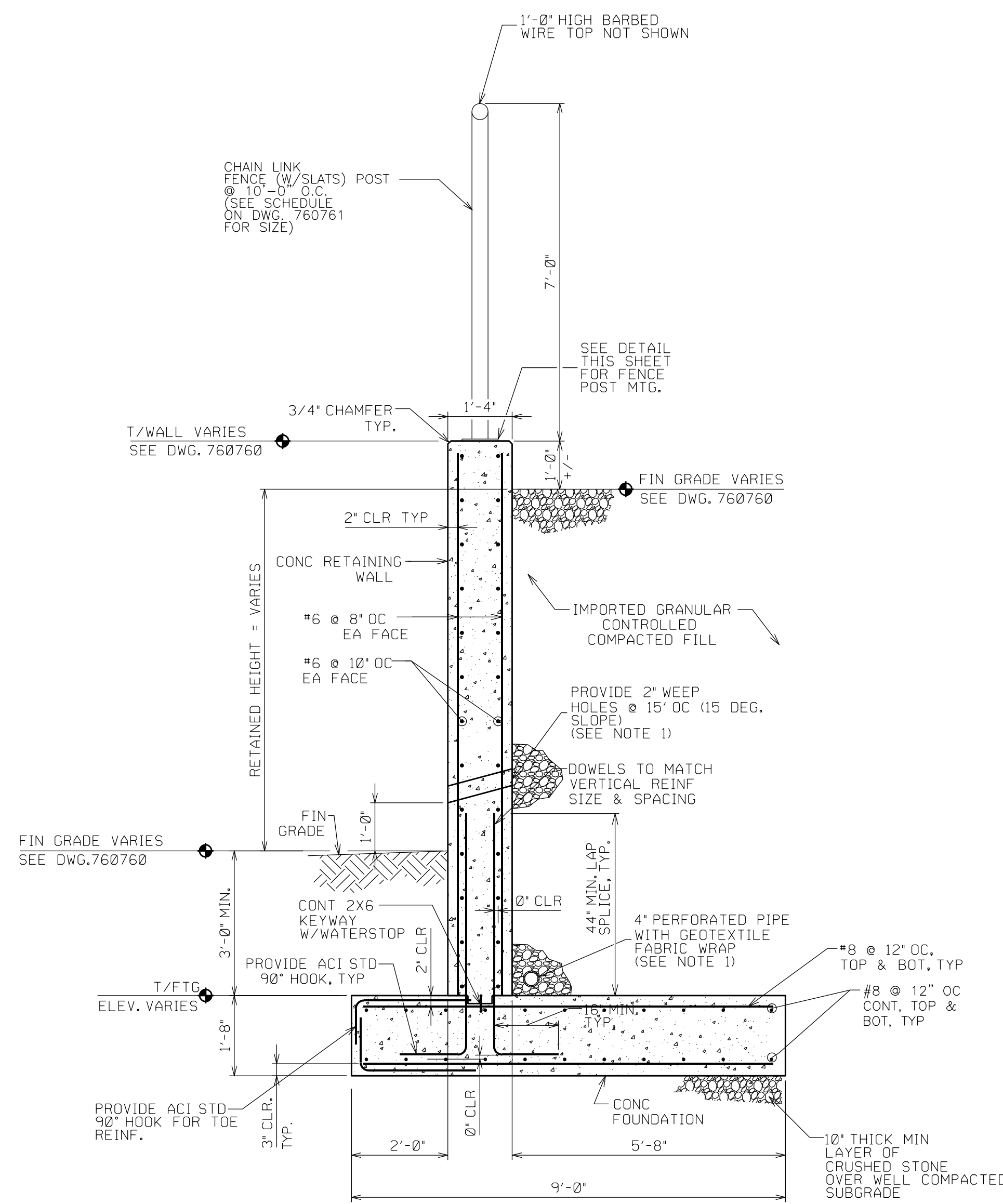


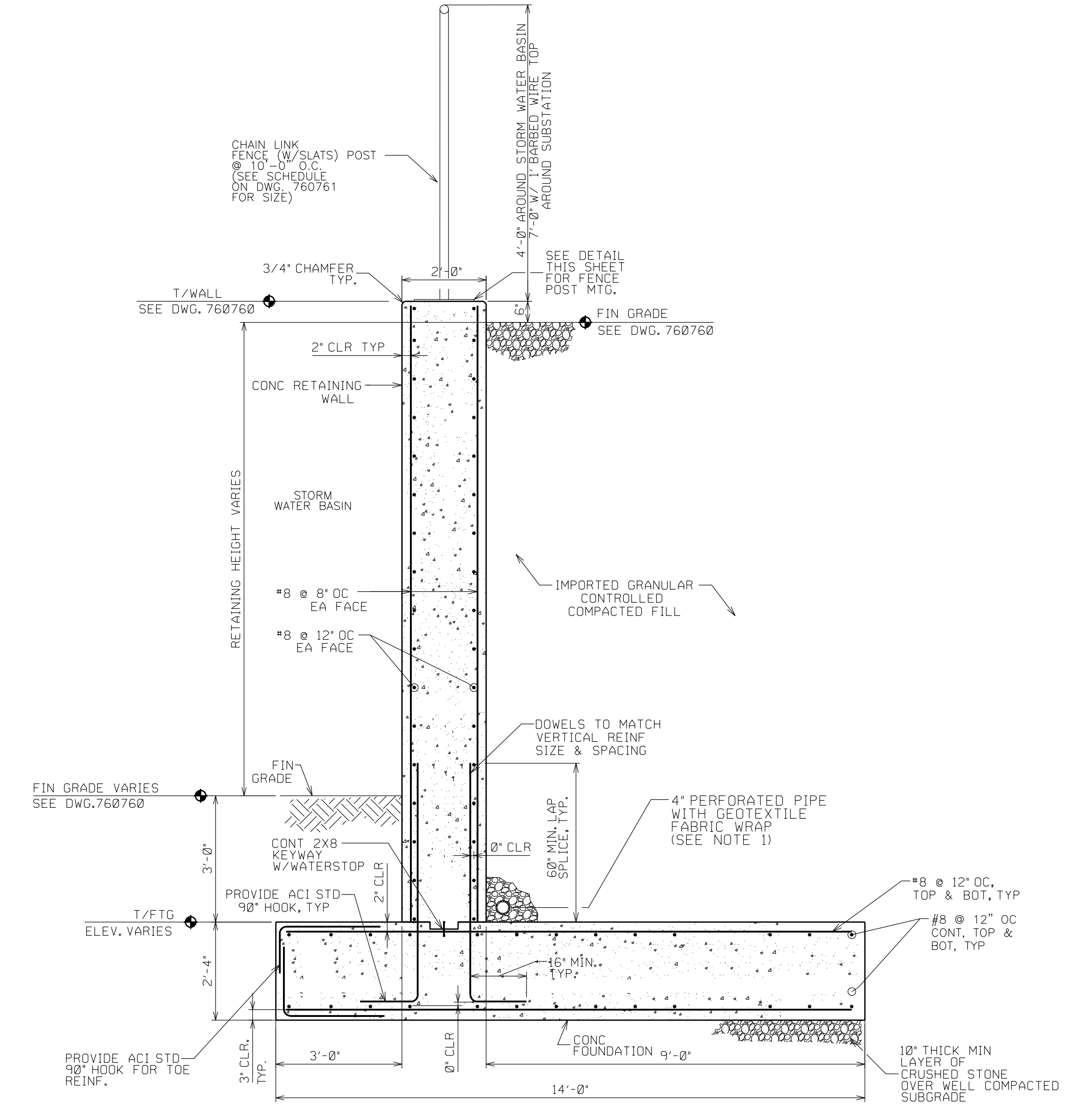
**60' TALL LIGHTNING MAST
ELEVATION
(GALV. TUBULAR STEEL)**
NTS

NOTE: TWO (2) EXISTING ON-SITE 60' MASTS
RELOCATED TO NEW ON-SITE LOCATIONS



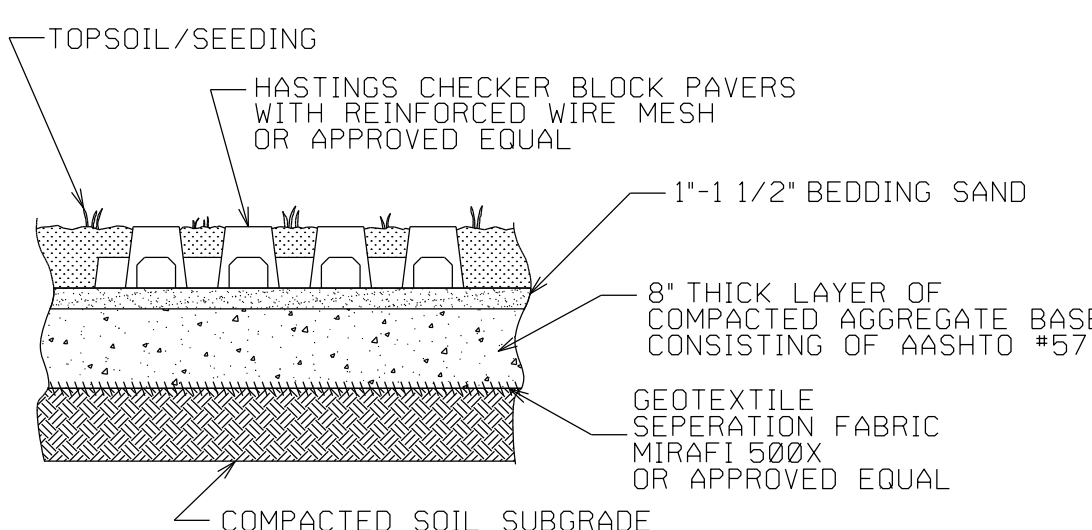
- NOTES:**
1. PROVIDE 3/4" CLEAN CRUSHED STONE ENCASED WITH GEOTEXTILE FABRIC AROUND WEEP HOLE AND PERFORATED DRAIN PIPE.
 2. CONCRETE CONSTRUCTION TO BE IN ACCORDANCE WITH PSE&G GENERAL SPEC. NO. 19-CIVIL-01, REINFORCED CONCRETE WORK FOR SWITCHING AND SUBSTATIONS.
 3. COLORANT, FOR EXPOSED PORTIONS OF THE CONCRETE, SHALL BE US-29-SANDSTONE LINE-MIX INTEGRAL CONCRETE COLORANT AS MANUFACTURED BY BUTTERFIELD COLOR, INC. OR APPROVED EQUAL. INSTALLATION SHALL BE PER MANUFACTURER'S RECOMMENDATIONS.

**SECTION 1-1
RETAINING WALL DETAIL**
SCALE: 1/2" = 1'-0"

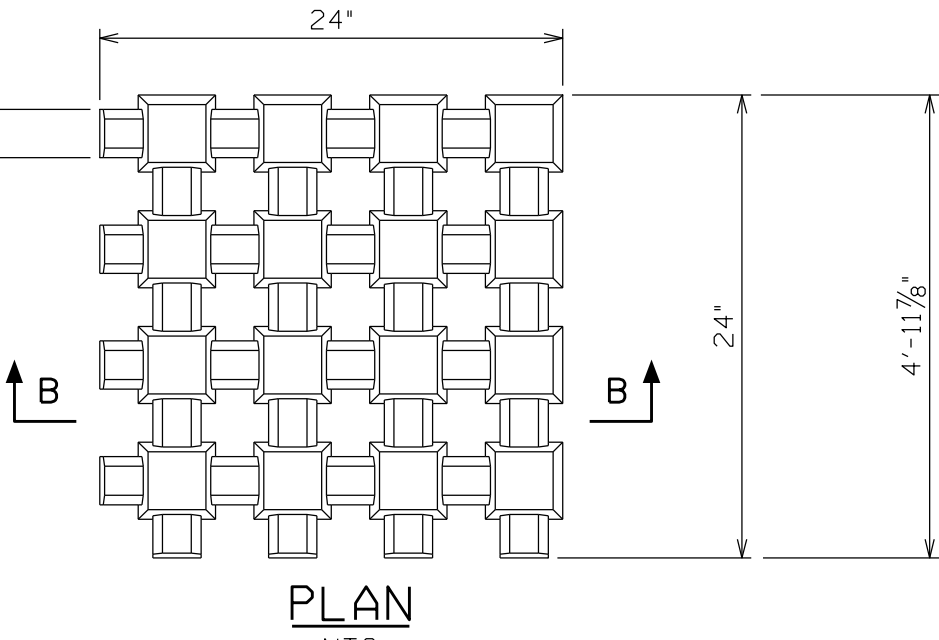


- NOTES:**
1. PROVIDE 3/4" CLEAN CRUSHED STONE ENCASED WITH GEOTEXTILE FABRIC AROUND WEEP HOLE AND PERFORATED DRAIN PIPE.
 2. CONCRETE CONSTRUCTION TO BE IN ACCORDANCE WITH PSE&G GENERAL SPEC. NO. 19-CIVIL-01, REINFORCED CONCRETE WORK FOR SWITCHING AND SUBSTATIONS.
 3. COLORANT, FOR EXPOSED PORTIONS OF THE CONCRETE, SHALL BE US-29-SANDSTONE LINE-MIX INTEGRAL CONCRETE COLORANT AS MANUFACTURED BY BUTTERFIELD COLOR, INC. OR APPROVED EQUAL. INSTALLATION SHALL BE PER MANUFACTURER'S RECOMMENDATIONS.

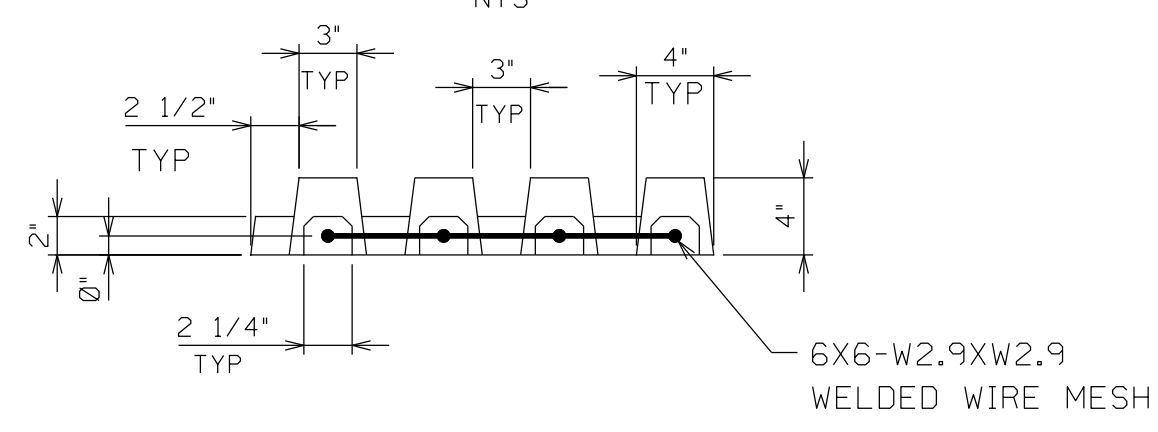
**SECTION 2-2
RETAINING WALL DETAIL**
SCALE: 1/2" = 1'-0"



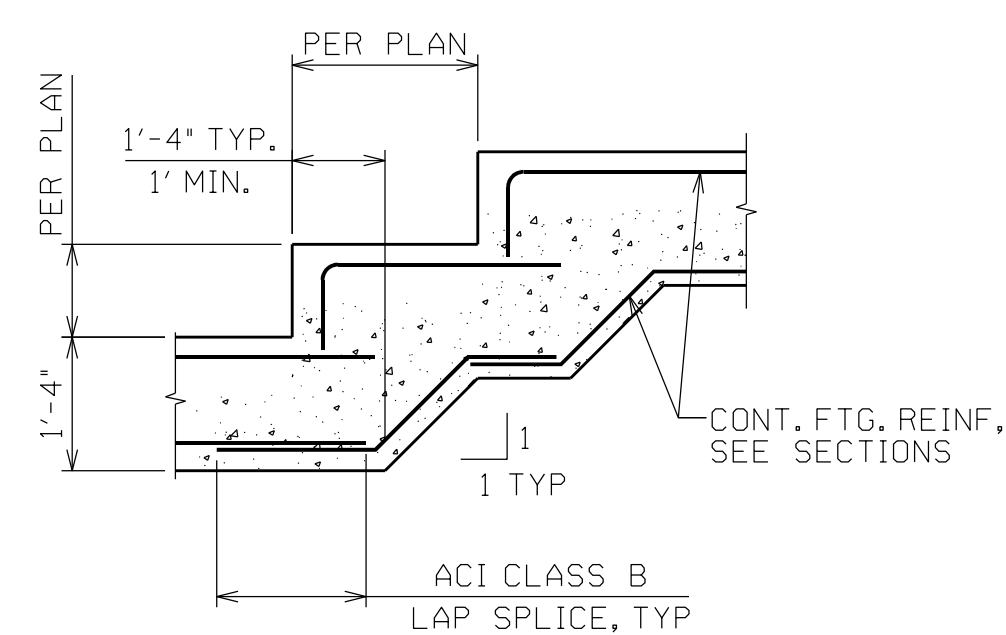
**GRASS PAVERS
DETAIL**
NTS



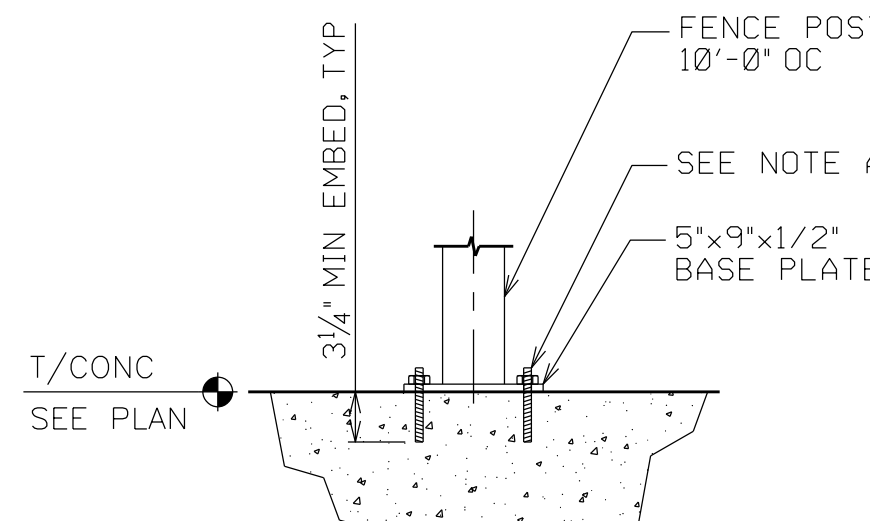
PLAN
NTS



SECTION B-B
NTS

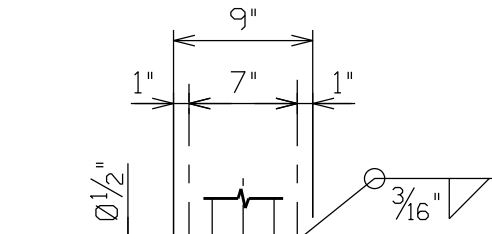


**TYPICAL STEP
FOOTING DETAIL**
NOT TO SCALE

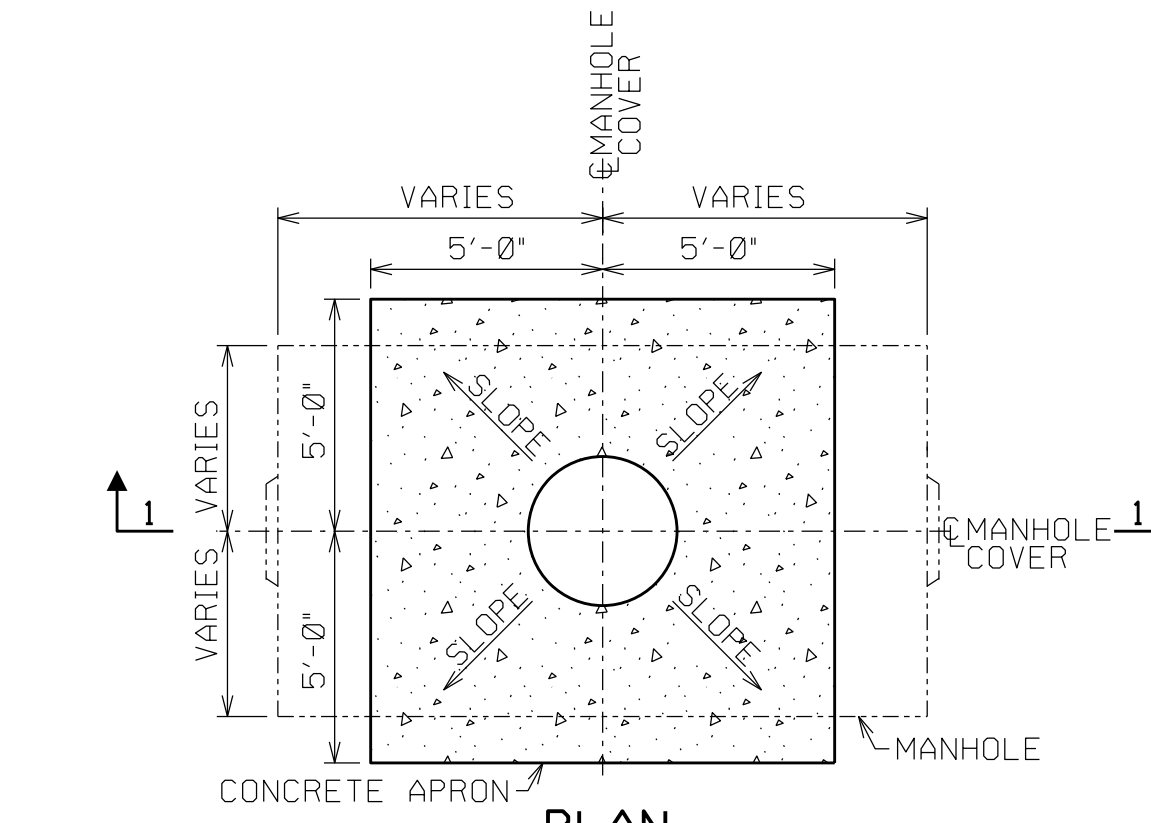


**TYPICAL FENCE POST
ANCHOR DETAIL**
SCALE: 1" = 1'-0"

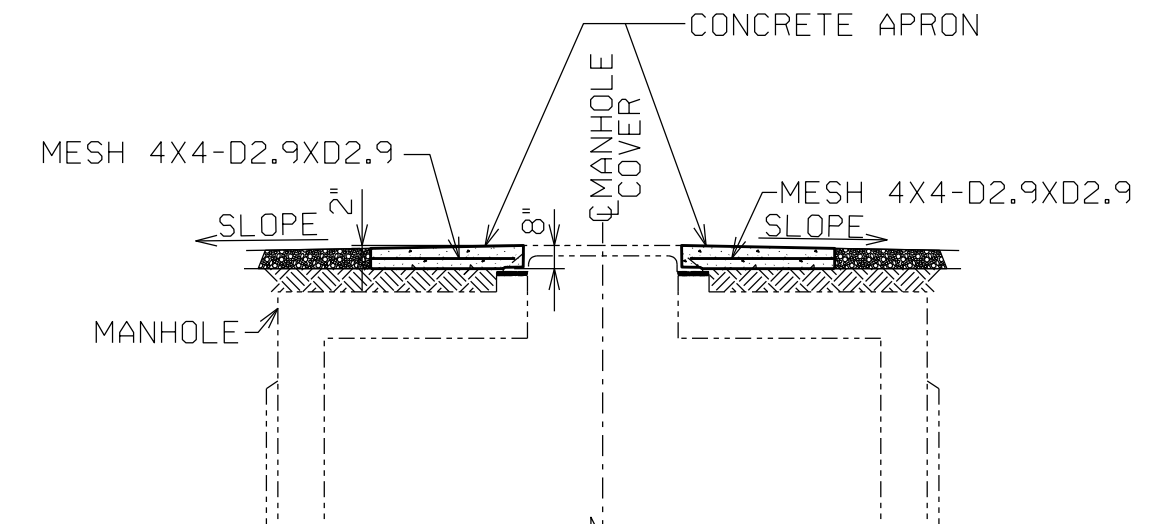
- NOTES:**
1. ANCHORS TO BE HILTI KWIK HUS-EZ 1/2" X 5" CONCRETE SCREWS OR APPROVED EQUAL.



**TYPICAL FENCE POST
BASE PLATE DETAIL**
SCALE: 1" = 1'-0"



PLAN



SECTION 1-1

CONCRETE NOTES:

1. CONCRETE SHALL HAVE 4500 PSI COMPRESSIVE STRENGTH AT 28 DAYS.
2. THE CONTRACTOR SHALL CONFIRM ALL DIMENSIONS BETWEEN THE PLANS AND SECTIONS BEFORE CONSTRUCTION AND NOTIFY THE ENGINEER OF ANY DISCREPANCIES BEFORE PROCEEDING WITH THE WORK.
3. THE COLD WEATHER CONCRETE METHODS SHALL BE EMPLOYED PER ACI 308R WHEN THE AMBIENT OUTSIDE TEMPERATURE WILL REMAIN BELOW 40 DEGREES FAHRENHEIT WITHIN 24 HOURS OF CONCRETE PLACEMENT. NO CONCRETE SHALL BE PLACED WHEN FORMS, EMBEDS AND/OR REBAR TEMPERATURES ARE BELOW 40 DEGREES FAHRENHEIT.
4. THE HOT WEATHER CONCRETE METHODS SHALL BE EMPLOYED PER ACI 308R IF THE PLACED CONCRETE TEMPERATURE NEARS 90 DEGREES FAHRENHEIT. IN NO CASE SHALL CONCRETE BE PLACED IF THE CONCRETE TEMPERATURE EXCEEDS 90 DEGREES FAHRENHEIT.
5. ANY DEVIATIONS FROM THE DESIGN DRAWINGS SHALL NOT BE PERMITTED WITHOUT PRIOR ENGINEERING APPROVAL.

**TYPICAL ELECTRICAL MANHOLE
COVER APRON DETAIL**
NOT TO SCALE

SYSTEM CODE: 7140
AREA ELEV: 6422

GENERAL NOTES

USE PRINTS OF LATEST REVISION ONLY.
DO NOT SCALE - USE DIMENSIONS ONLY.
FOR LIST OF REFERENCE DRAWINGS SEE DRAWING NO 760764
THIS DRAWING SUPERSEDES NONE
THIS DRAWING IS SHEET NO 1 OF 1 SHEETS.

EUGENE R. PORZIO

N.J. PROFESSIONAL ENGINEER
LIC. NO. 34431
C.O.A. 246A27971100

REV	DATE	DESCRIPTION	BY	CHKD	APPD
C	09-02-20	COMMENTS INCORPORATED	NP	GP	MDP
B	03-25-20	COMMENTS INCORPORATED	TAI	GP	MDP
A	02-24-20	ISSUED FOR REVIEW	TAI	GP	MDP

NOT FOR CONSTRUCTION

NO	DATE	DESCRIPTION	DWN	CKD	EXD	APPD
REVISION						
LAWNSIDE SUBSTATION						
69/13KV SUBSTATION						
CIVIL SITE DETAILS						
SHEET 2						
DETAILS			CIVIL/ENVR			
PSE&G						
PUBLIC SERVICE ELECTRIC AND GAS COMPANY						
ELECTRIC DELIVERY COMPANY - ASSET RELIABILITY, NEWARK, N.J.						
DRAWN		CHECKED		SCALE		
DATE		EXAMINED		NOTED		
WBS/SO		APPROVED				
SARGENT & LUNDY						
760762 A						